

CASING FOR VIDEO WALL

SCREENS AND LED PANELS



**DIGITAL
SIGNAGE**

Number of screen : multi-screen

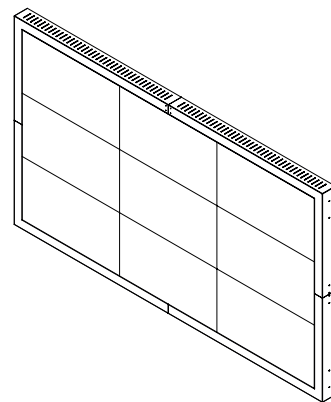
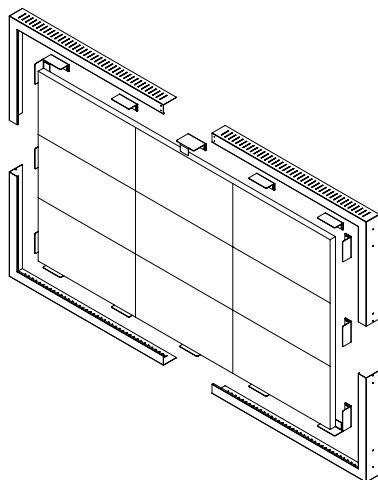
Installation : fixed to the wall

Finish : black or white

Part number :
Upon request



9 screens simulation 55"



- **SPECIFICATIONS**

Part number	Upon request
Mounting with flat angle brackets	Black painted steel
Front casing	Black painted aluminium With magnetic fixing system
Not included	Screen wall fixing

- **OPTIONS**

Adaptation for LED panels	P/N: upon request
Transportation and installation by Axeos	P/N: upon request
Other finish	P/N: upon request