

# NEAT FRAME HOLDER



## MANUFACTURERS' ACCESSORIES

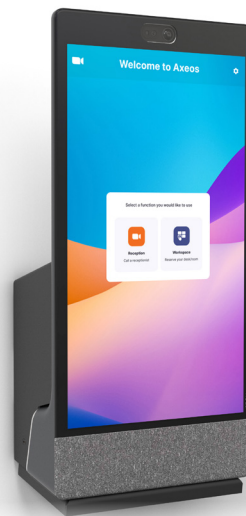
Installation : attached to the wall

Finish : black

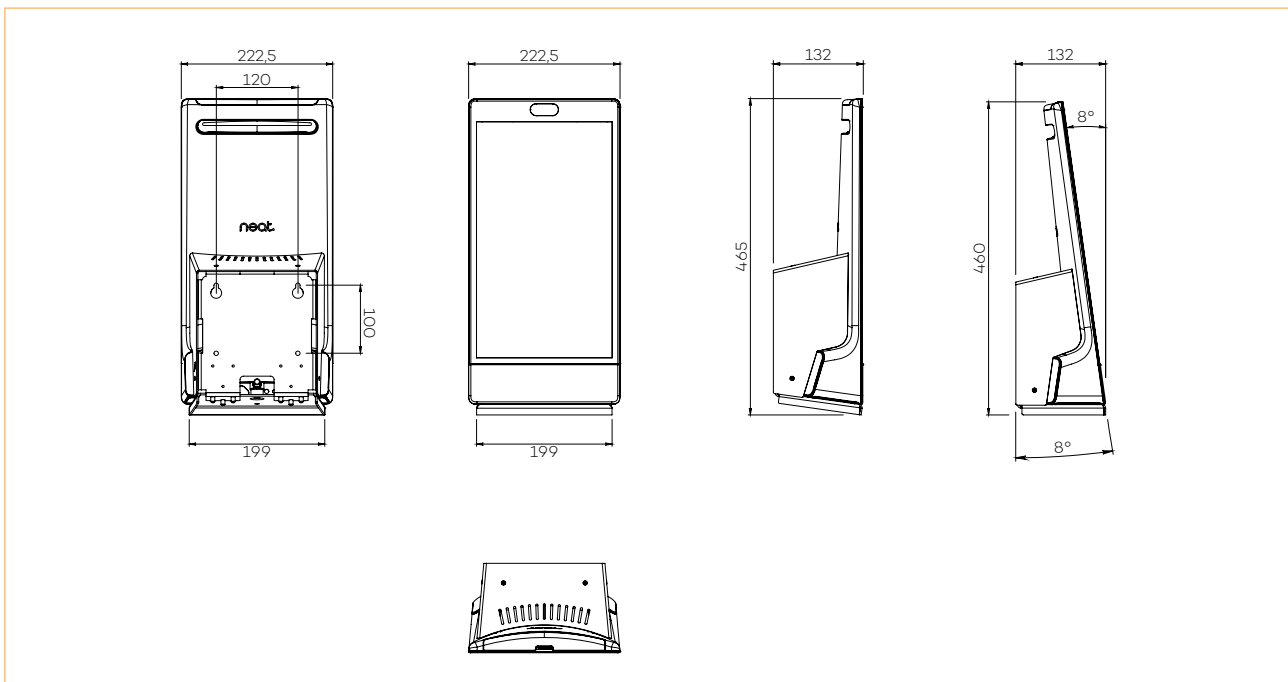
Part number :  
ADT\_NEAT\_FRAME



8° natural tilt  
of Neat Frame



No tilt



### • SPECIFICATIONS

	Neat Frame holder
Part number	ADT_NEAT_FRAME
Material	Black painted steel (grey finish option on request)
Installation	Fixed to the wall 2 installation angles included : • No tilt • 8° natural tilt of Neat Frame
Securing	Kensington type security lock by key
Cable ducting	From the back
Holder weight	2,5 kg