



CAMERA STAND

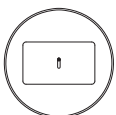
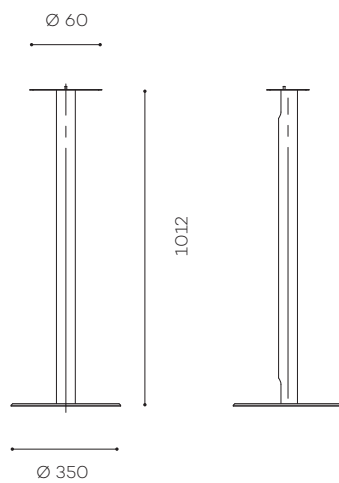
Camera stand is designed to secure a camera. It can be either permanently fixed to the floor or provided with a heavy base.

CAMERA STAND

Ref.

With a heavy base :
PSC /P

Fixed to the floor :
PSC /F



SPECIFICATIONS

MATERIAL
Brushed stainless steel

STANDARD HEIGHT
1012 mm

SECURED CAMERA INSTALLATION
Screw fixing

INSTALLATION
With a heavy base or fixed to the floor

NOTE
Design according to the camera model
Reference must be specified with our sales team



Fully integrated wiring duct



Fixed to the floor

Tech : Poly EagleEye IV

OPTIONS

→ Adjustable height
Ref : upon request

→ Other finish
Ref : upon request