



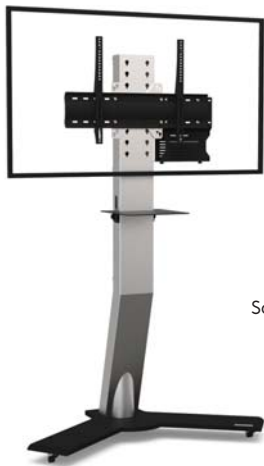
EKINOX

EKINOX is a stand suitable for :

A screen from 40 to 90 inches

Two screens from 40 to 75 inches





Screen simulation 55"

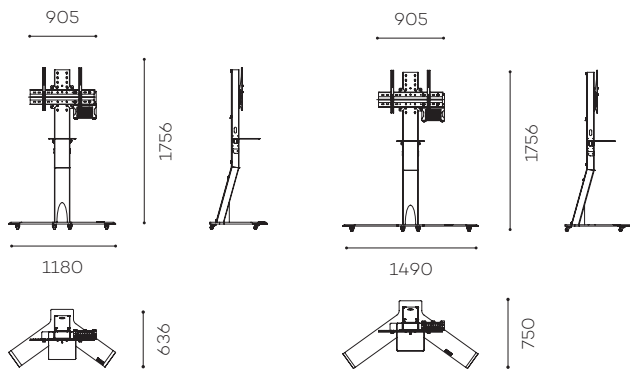
EKINOX SINGLE SCREEN (SS)

Ref.
For a screen from 40 to 60" :
EKINOXS4060VCPACK

For a screen from 65 to 70" :
EKINOXS6570VCPACK

For a screen from 75 to 90" :
EKINOXS7590VCPACK

Available for digital signage use



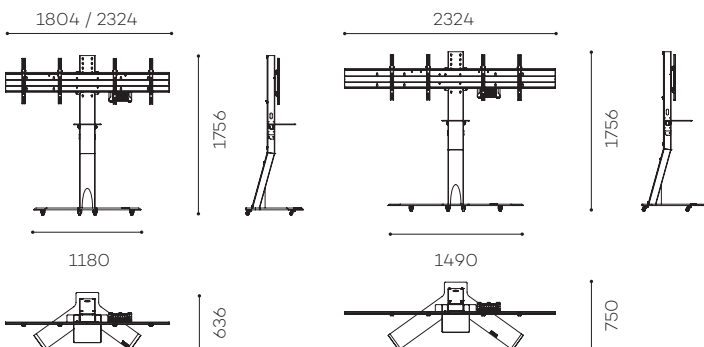
Screens simulation 46"

EKINOX DUAL SCREEN (DS)

Ref.
For two screens from 40 to 50" :
EKINOXD4050VCPACK

For two screens from 52 to 65" :
EKINOXD5265VCPACK

For two screens from 70 to 75" :
(except 75" with VESA 600 x 400 mm,
add AX034-75 option)
EKINOXD7075VCPACK



SPECIFICATIONS

BASE

Black mat finish
On casters
SS : aluminium for 40/60",
painted steel for 65/70" and 75/90"
DS : painted steel

COLUMN

Brushed stainless steel
Black rear cover in plexiglass,
easy access

UNIVERSAL SCREEN FIXING

VESA from 200 x 200 mm to 800 x 400 mm

SCREEN AXIS WITH ADJUSTABLE HEIGHT

From 1300 mm to 1700 mm

MAXIMUM SCREEN WEIGHT

SS : 85 kg
DS : 45 kg per screen for 40/50"
and 30 kg per screen for 52/75"

STAND WEIGHT

SS : 55 kg for 40/70"
and 75 kg for 75/90"
DS : 85 kg for 40/65"
and 111 kg for 70/75"

ACCESSORIES INCLUDED

- Camera shelf (AX0011)
- Universal codec holder (SCUV12)



Universal codec
holder (SCUV12)



Camera shelf (AX0011)
Option : large shelf
(AX0012)

Tech : LifeSize Icon 600
Phone HD
Avaya Deluxe

OPTIONS

- Large shelf
Ref : AX0012
- White finish
Ref : /WHITE
- Base on Teflon pads
Ref : Teflon pads
- Universal camera holder above the
screen
Ref : SCUV3
- (DS only) SCUV3 option : Adaptor
to fix the SCUV3 between two
screens
Ref : SCUV3_2
- (only for EKINOXD7075VCPACK)
VESA fixing extension for screen of
75" with VESA 600 x 400 mm
Ref : AX034-75
- Assembly before shipment
(except EKINOXS7590VCPACK
and EKINOXD7075VCPACK)
Ref : Serv_Std_1