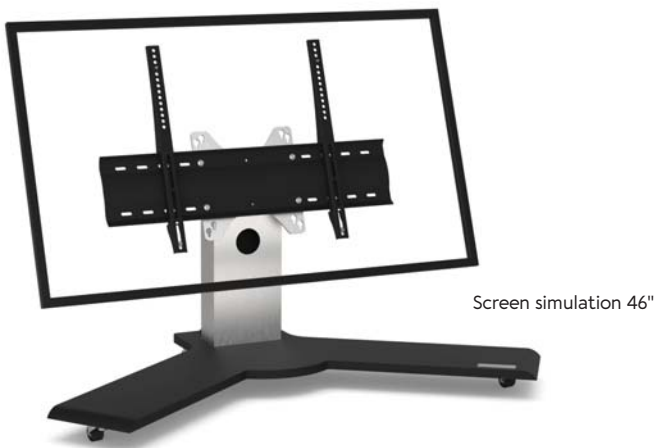




EKINOX-XS

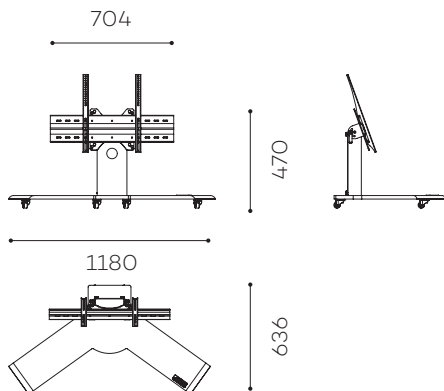
EKINOX-XS is a confidence monitor stand which can accommodate screen from 32 to 65 inches.



Screen simulation 46"

EKINOX-XS

Ref.
EKINOX-XS



SPECIFICATIONS

BASE

Painted aluminium
Black mat finish
On casters

COLUMN

Brushed stainless steel
Black rear cover in
plexiglass, easy access

UNIVERSAL SCREEN FIXING

VESA from 200 x 200 mm
to 600 x 400 mm

SCREEN AXIS WITH ADJUSTABLE HEIGHT

From 476 mm to 578 mm

SCREEN TILTING

Quick release system

MAXIMUM SCREEN WEIGHT

55 kg

STAND WEIGHT

25 kg



Screen tilting with quick release system



Brushed stainless steel column for cable management



Option : white finish (/WHITE)

OPTIONS

- Base on Teflon pads
Ref : Teflon pads
- White finish
Ref : /WHITE
- Other finish
Ref : upon request