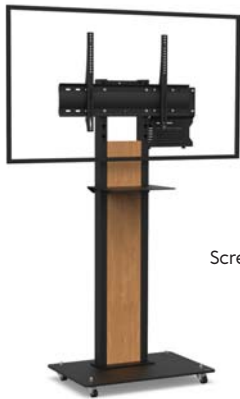




OBOX

OBOX is a stand suitable for :
A screen from 32 to 60 inches
Two screens from 40 to 55 inches





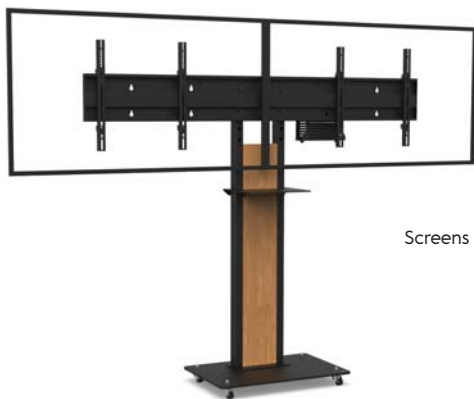
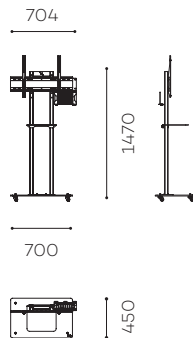
Screen simulation 55"

OBOX SINGLE SCREEN (SS)

Ref.

For a screen from 32 to 60" :
OBOXS3260VCPACK

Available for digital signage use



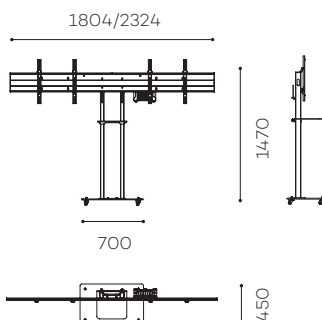
Screens simulation 55"

OBOX DUAL SCREEN (DS)

Ref.

For two screens from 40 to 50" :
OBOXD4050VCPACK

For two screens from 52 to 55" :
OBOXD5255VCPACK



SPECIFICATIONS

BASE

Painted steel
Black mat finish
On casters

COLUMN

Two painted steel tubes in black mat finish
Plate in plexiglass with wood sticker

UNIVERSAL SCREEN FIXING

SS: VESA from 200 x 200 mm to 600 x 400 mm
DS: VESA from 200 x 200 mm to 800 x 400 mm

SCREEN AXIS WITH ADJUSTABLE HEIGHT

From 1310 mm to 1460 mm

MAXIMUM SCREEN WEIGHT

SS : 55 kg
DS : 30 kg per screen

STAND WEIGHT

SS : 45 kg / DS : 55 kg

ACCESSORIES INCLUDED

- Camera shelf (AX1077)
- Universal codec holder (SCUV12)



Universal codec holder (SCUV12)



Option : white finish (/WHITE)



Option : other finish of plexiglass plate



Tech : Avaya HC050

OPTIONS

- White finish
Ref : /WHITE
- Other finish of plexiglass plate
Ref : upon request
- Universal camera holder above the screen
Ref : SCUV3
- (DS only) SCUV3 option : Adaptor to fix the SCUV3 between two screens
Ref : SCUV3_2
- Assembly before shipment
Ref : Serv_Std_1