

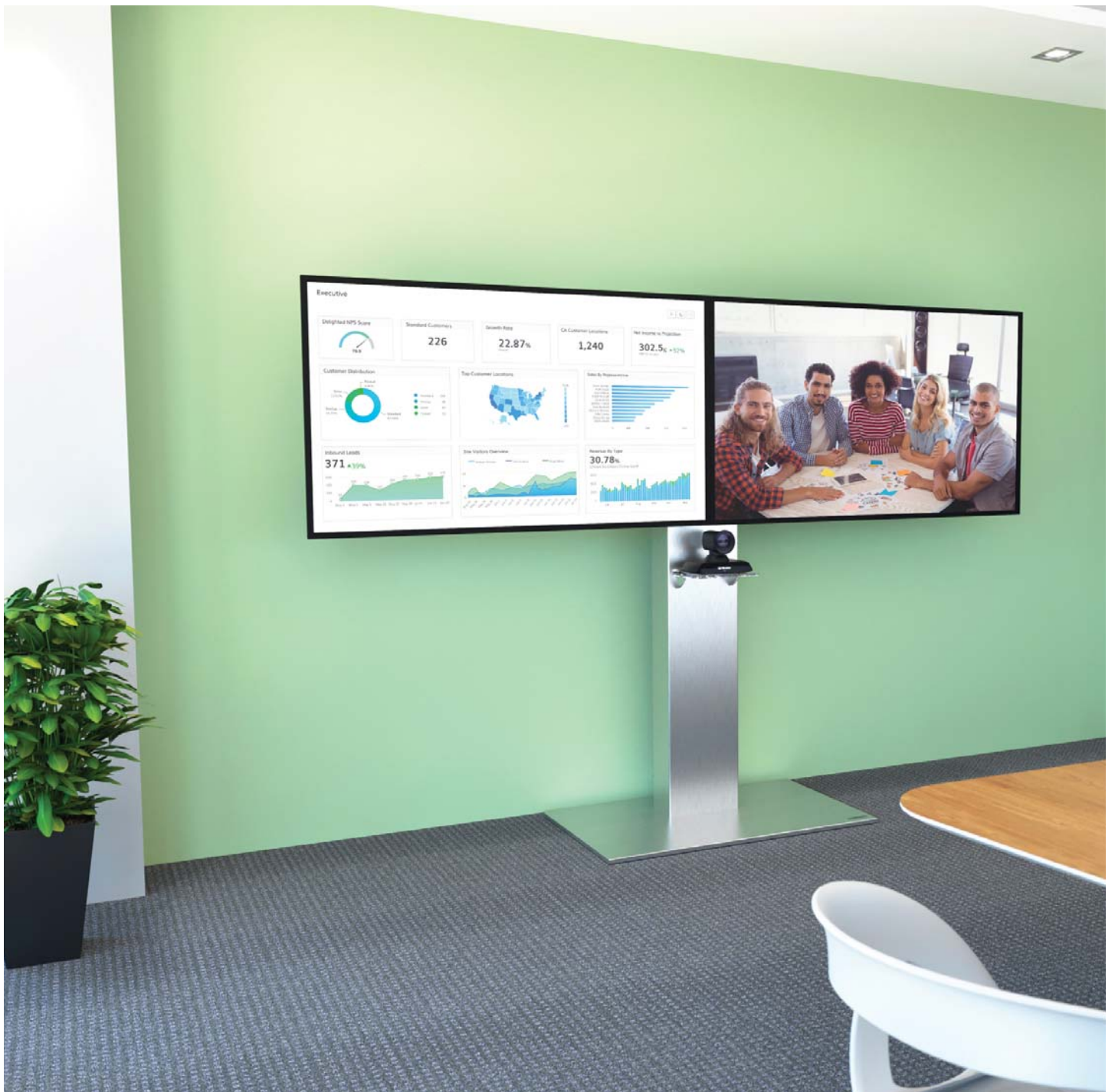


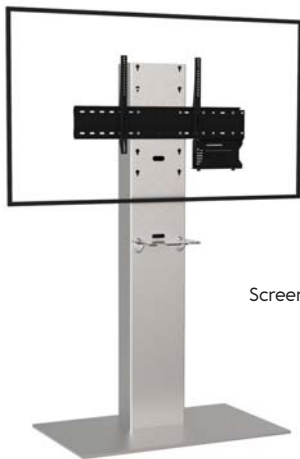
XENON

XENON is a stand suitable for :

A screen from 60 to 90 inches

Two screens from 52 to 90 inches





Screen simulation 70"

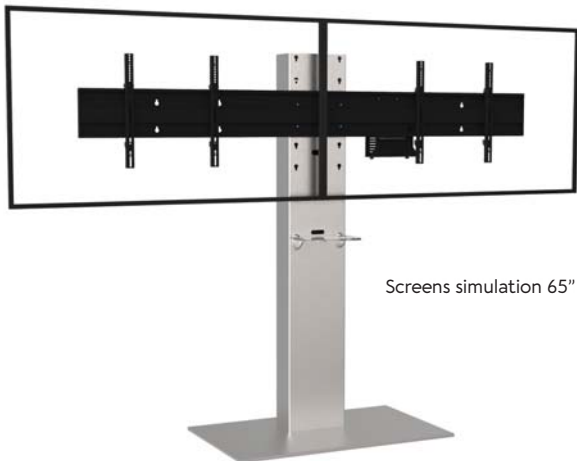
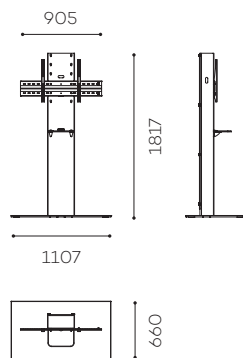
XENON SINGLE SCREEN (SS)

Ref.

For a screen from 60 to 70" :
XENONS6070VCPACK

For a screen from 75 to 90" :
XENONS7590VCPACK

Available for digital signage use



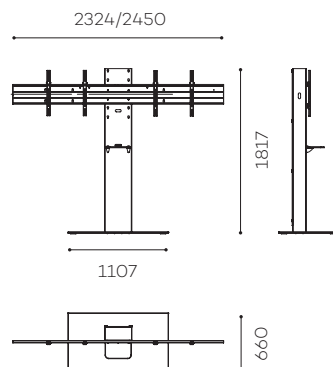
Screens simulation 65"

XENON DUAL SCREEN (DS)

Ref.

For two screens from 52 to 65" :
XENOND5265VCPACK

For two screens from 70 to 90" :
XENOND7090VCPACK



SPECIFICATIONS

BASE

SS : aluminium
DS : steel
With brushed stainless steel cover
On Teflon pads

COLUMN

Brushed stainless steel
Black rear cover in plexiglass, easy access

UNIVERSAL SCREEN FIXING

VESA from 200 x 200 mm to 800 x 400 mm

SCREEN AXIS WITH ADJUSTABLE HEIGHT

From 1400 mm to 1600 mm

MAXIMUM SCREEN WEIGHT

SS : 85 kg
DS : 40 kg per screen for 52/65"
and 60 kg per screen for 70/90"

STAND WEIGHT

SS : 90 kg / DS : 160 kg

ACCESSORIES INCLUDED

- Camera shelf in plexiglass (SMCP/CPS)
- Universal codec holder (SCUV12)



Universal codec holder (SCUV12)



Camera shelf in plexiglass (SMCP/CPS)

Tech : Poly RealPresence Group 500
LifeSize Icon 700

OPTIONS

- Base on casters
Ref : Wheels
- Casters and skirt to cover up
Ref : Skirt wheels/Xenon
- Universal camera holder above the screen
Ref : SCUV3
- (DS only) SCUV3 option : Adaptor to fix the SCUV3 between two screens
Ref : SCUV3_2