



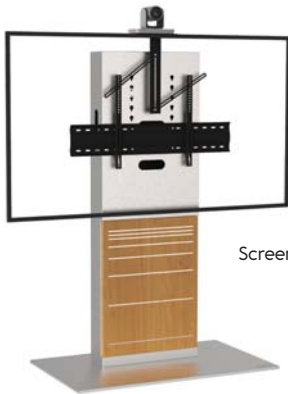
XENON WIDE

XENON WIDE is a stand suitable for :

A screen from 65 to 90 inches

Two screens from 52 to 90 inches





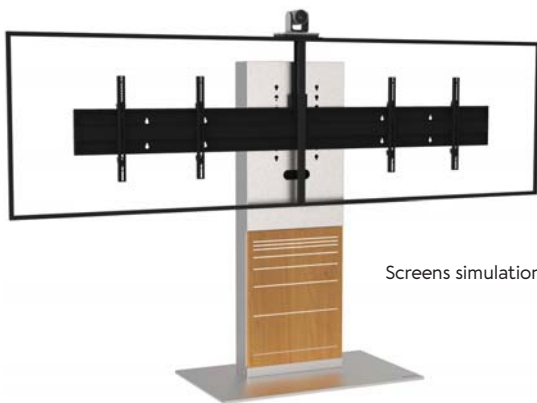
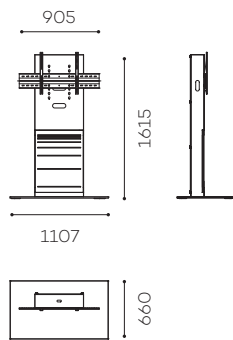
Screen simulation 70"

XENON WIDE SINGLE SCREEN (SS)

Ref.

For a screen from 65 to 90" :
XENONWS6590VCPACK

Available for digital signage use



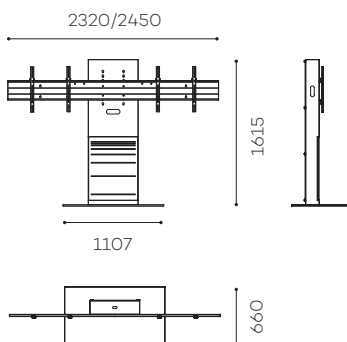
Screens simulation 65"

XENON WIDE DUAL SCREEN (DS)

Ref.

For two screens from 52 to 65" :
XENONWD5265VCPACK

For two screens from 70 to 90" :
XENONWD7090VCPACK



SPECIFICATIONS

BASE

SS : aluminium
DS : steel
With brushed stainless steel cover
On Teflon pads

COLUMN

Brushed stainless steel with wooden front
trapdoor
Black rear cover in plexiglass, easy
access

UNIVERSAL SCREEN FIXING

VESA from 200 x 200 mm to 800 x 400 mm

SCREEN AXIS WITH ADJUSTABLE HEIGHT

From 1140 to 1450 mm

MAXIMUM SCREEN WEIGHT

SS : 85 kg
DS : 40 kg per screen for 52/65"
and 60 kg per screen for 70/90"

STAND WEIGHT

SS : 95 kg / DS : 165 kg

ACCESSORIES INCLUDED

- 3U codec holder (SCUV12_3U)
- SS : Universal camera holder (SCUV3)
above the screen
- DS : Universal camera holder (SCUV3)
+ adaptor dual screen (SCUV3_2)



Wooden front
trapdoor with inlaid
brushed stainless steel



3U codec holder
(SCUV12_3U)

Tech : Poly RealPresence Group 500

OPTIONS

- (SS only) Base on casters
Ref : Wheels
- (SS only) Casters and skirt to cover up
Ref : Skirt wheels/Xenon
- Other finish
Ref : upon request

Details and additional options p.56-65