

EKINOX-XS

For a 32 to 60-inch screen



DIGITAL SIGNAGE

Number of screen : 1 screen

Screen size : 32 to 60"

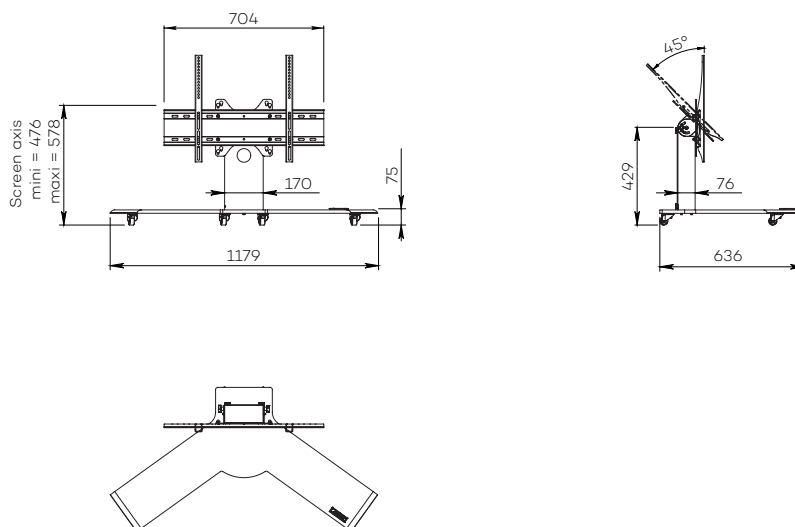
Installation : on casters

Finish : black and brushed stainless steel

Part number :
EKINOX-XS



46" screen simulation



- SPECIFICATIONS

Screen size	For a 32 to 60" screen
Part number	EKINOX-XS
Base	Black painted steel
Base thickness	15 mm
Casters / Teflon pads	On casters (ø 35 mm pre-assembled)
Base dimensions (w x d x h)	1179 x 636 x 75 mm
Column	Brushed stainless steel
Column back cover	Back in black eco-friendly plexiglass, easy access
Column dimensions (w x d x h)	170 x 76 x 400 mm
Screen fixing	Black painted steel with fixing kit
Universal screen mount (VESA)	200 x 200 mm to 600 x 400 mm
Screen axis height	476 mm to 578 mm
Screen tilting	Up to 45° with quick realease system
Max. screen weight	55 kg
Stand weight	25 kg

- OPTIONS

Base on Teflon pads	P/N: Teflon pads
White & brushed stainless steel finish Column in brushed stainless steel Base and back cover in white	P/N: /WHITE
Other finish	P/N: on request