

EKINOX DUAL SCREEN

For two screens from 40 to 65"



VIDEOCONFERENCING

Number of screen : 2 screens

Screen size : from 40 to 65"

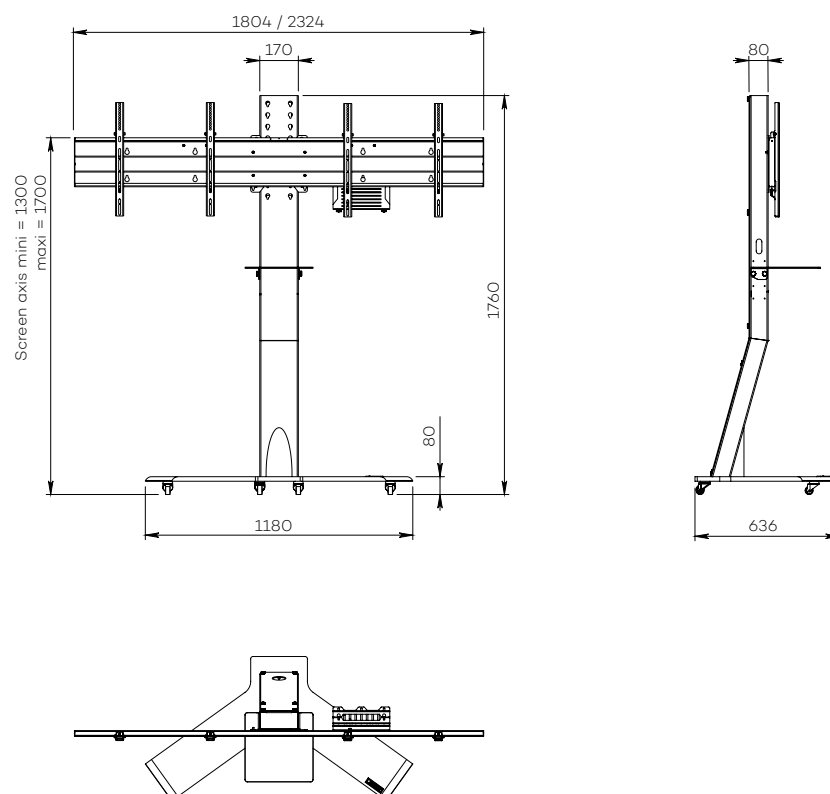
Installation : on casters

Finish : black and
brushed stainless steel

Part numbers :
EKINOXD4050VCPACK
EKINOXD5265VCPACK



Screen simulation 46"



DUAL SCREEN

● SPECIFICATIONS

Screen size	For two screens from 40 to 50"	For two screens from 52 to 65"
Part numbers	EKINOXD4050VCPACK	EKINOXD5265VCPACK
Base	Black painted steel	
Base thickness	15 mm	
Casters / Teflon pads	On casters (ø 35 mm pre-assembled)	
Base dimensions (w x d x h)	1180 x 636 x 80 mm	
Column	Brushed stainless steel	
Column rear cover	Black rear cover in plexiglass, easy access	
Column dimensions (w x d x h)	170 x 80 x 1680 mm	
Screen fixing	Black painted steel with fixing kit	
Screen fixing size (VESA)	From 200 x 200 mm to 800 x 400 mm	
Screen axis with adjustable height	From 1300 mm to 1700 mm	
Maximum screen weight	45 kg/screen	30 kg/screen
Stand weight	85 kg	
Accessories included (VC PACK)	<ul style="list-style-type: none"> • Camera shelf (AX0011) Dimensions (w x d) : 300 mm x 230 mm • Universal codec holder (SCUV12) Depth from 10 mm to 95 mm 	

● OPTIONS

Large shelf Dimensions (w x d) : 450 mm x 300 mm	P/N: AX0012
White finish	P/N: /WHITE
Base on Teflon pads	P/N: Teflon pads
Universal camera holder Above the screen	P/N: SCUV3
SCUV3 option Adaptor to fix the SCUV3 between two screens	P/N: SCUV3_2
Assembly before shipment	P/N: Serv_Std_1