

EKINOX-XS

For a screen from 32 to 65"



DIGITAL SIGNAGE

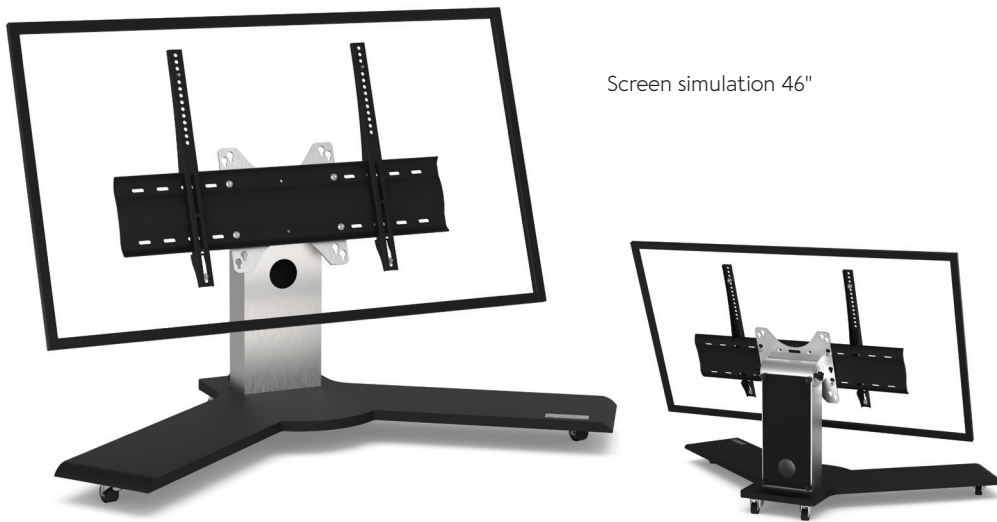
Number of screen : 1 screen

Screen size : from 32 to 65"

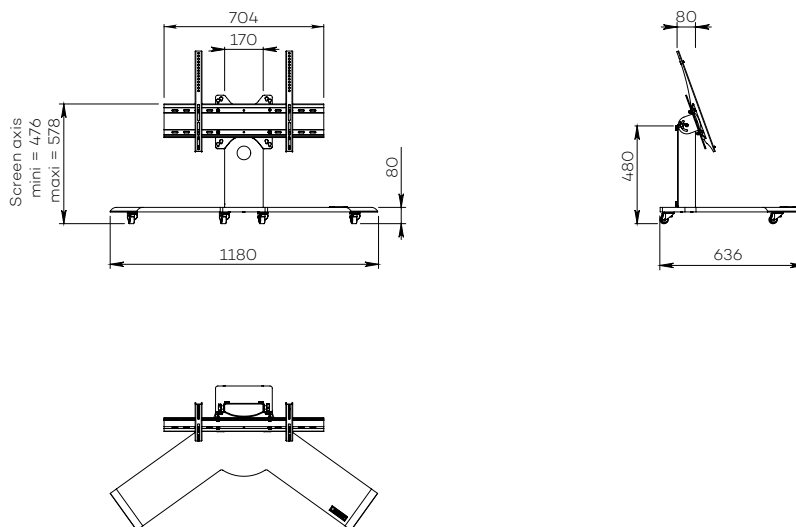
Installation : on casters

Finish : black and brushed stainless steel

Part number :
EKINOX-XS



Screen simulation 46"



● SPECIFICATIONS

Screen size	For a screen from 32 to 65"
Part number	EKINOX-XS
Base	Black painted aluminium
Base thickness	20 mm
Casters / Teflon pads	On casters (ø 35 mm pre-assembled)
Base dimensions (w x d x h)	1180 x 636 x 80 mm
Column	Brushed stainless steel
Column rear cover	Black rear cover in plexiglass, easy access
Column dimensions (w x d x h)	170 x 80 x 400 mm
Screen fixing	Black painted steel with fixing kit
Screen fixing size (VESA)	From 200 x 200 mm to 600 x 400 mm
Screen axis with adjustable height	From 476 mm to 578 mm
Screen tilting	Up to 70° with quick realease system
Maximum screen weight	55 kg
Stand weight	25 kg

● OPTIONS

Base on Teflon pads	P/N: Teflon pads
White finish	P/N: /WHITE
Other finish	P/N: upon request