

EXIA-XS

For a tablet from 9 to 12,9"



TOUCH SOLUTIONS

Number of screen : 1 screen

Screen size : from 9 to 12,9"

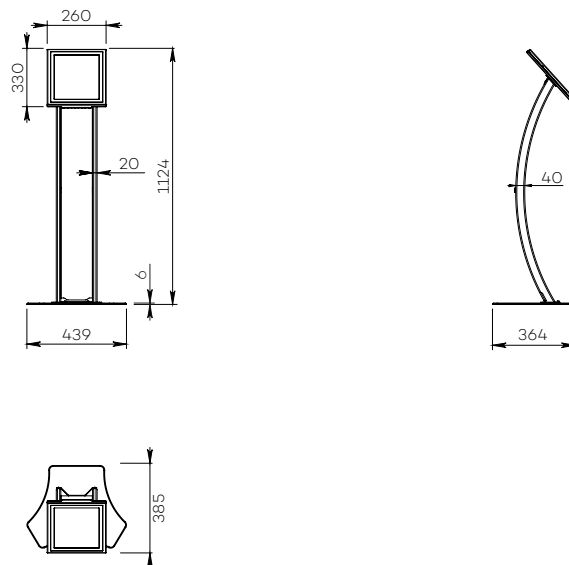
Installation : floor stand

Finish : white or black

Part numbers :
EXIA-XS/ WHITE
EXIA-XS/ BLACK



Screen simulation 12,9"



● SPECIFICATIONS

Screen size	For a tablet from 9 to 12,9"	
Part numbers	EXIA-XS/ WHITE	EXIA-XS/ BLACK
Base	White painted steel	Black painted steel
Base thickness	6 mm	
Casters / Teflon pads	On Teflon pads	
Base dimensions (w x d x h)	439 x 364 x 6 mm	
Column	2 painted steel tubes in white mat finish	2 painted steel tubes in black mat finish
Column cover	Plate in plexiglass with wood sticker	
Plate dimensions (w x h)	138 x 950 mm	
Column dimensions (w x d x h)	180 x 40 x 1006 mm	
Head	White painted steel with black plexiglass insert	Black painted steel with black plexiglass insert
Mode	Portrait or landscape (to be defined at the order)	
Stand weight	12 kg	
Note	Tablet reference must be specified at the order	

● OPTIONS

Column without plexiglass plate	P/A: upon request
Other finish of plexiglass plate	P/A: upon request
Floor fixing	P/A: EX_SFS
Flight case	P/A: upon request
Other finish	P/A: upon request