

## *Notice de montage / Assembly instructions*

*OSYX double écran / OSYX dual screen*



## Composition / Packing list :

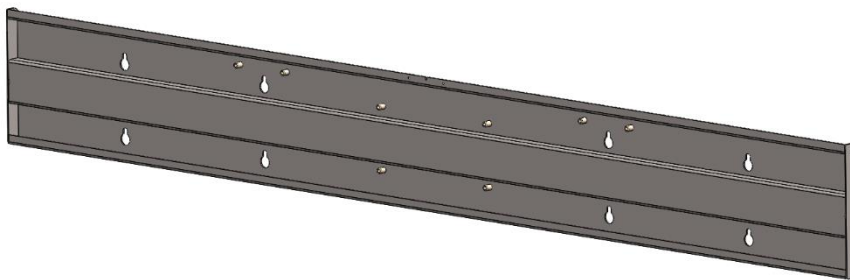
- Colis N°1 : socle + accessoires  
Package N°1 : base + accessories


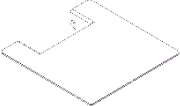
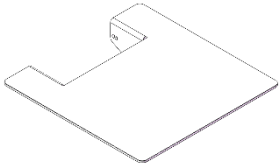
<p>Socle avec roulettes <i>Base with casters</i></p>																																																																																	
<p>2 paire de fixations réglables <i>2 mounting brackets</i></p>																																																																																	
<p>Une platine de fixation avec vis prémontées <i>Fixing plate with pre-mounted screws</i></p>																																																																																	
<p>Une multiprise <i>(unavailable for UK/DE)</i></p>																																																																																	
<p>8 Colliers de serrage <i>8 plastic clamps</i></p>																																																																																	
<p>Un jeu de clés <i>Allen key set</i></p>																																																																																	
<p>Un kit visserie meuble <i>Bolting kit (furniture)</i></p>	 <table border="1" data-bbox="1110 1330 1278 1615"> <thead> <tr> <th>Rep</th> <th>Qté</th> <th>Désignation</th> </tr> </thead> <tbody> <tr><td>1</td><td>16</td><td>Bouchon M5</td></tr> <tr><td>2</td><td>4</td><td>Vis japy M5x15</td></tr> <tr><td>3</td><td>2</td><td>Vis CHC M4x25</td></tr> <tr><td>4</td><td>2</td><td>Vis CHC M5x25</td></tr> <tr><td>5</td><td>12</td><td>Vis CHC M6x20</td></tr> <tr><td>6</td><td>6</td><td>Vis CHC M8x16</td></tr> <tr><td>7</td><td>2</td><td>Rondelle plate M4</td></tr> <tr><td>8</td><td>2</td><td>Rondelle plate M5</td></tr> <tr><td>9</td><td>12</td><td>Rondelle plate M6</td></tr> <tr><td>10</td><td>6</td><td>Rondelle plate M8</td></tr> <tr><td>11</td><td>8</td><td>Vis mollette M5</td></tr> <tr><td>12</td><td>4</td><td>Ecrou molleté M5</td></tr> <tr><td>13</td><td>4</td><td>Ecrou borgne M6</td></tr> </tbody> </table>	Rep	Qté	Désignation	1	16	Bouchon M5	2	4	Vis japy M5x15	3	2	Vis CHC M4x25	4	2	Vis CHC M5x25	5	12	Vis CHC M6x20	6	6	Vis CHC M8x16	7	2	Rondelle plate M4	8	2	Rondelle plate M5	9	12	Rondelle plate M6	10	6	Rondelle plate M8	11	8	Vis mollette M5	12	4	Ecrou molleté M5	13	4	Ecrou borgne M6																																						
Rep	Qté	Désignation																																																																															
1	16	Bouchon M5																																																																															
2	4	Vis japy M5x15																																																																															
3	2	Vis CHC M4x25																																																																															
4	2	Vis CHC M5x25																																																																															
5	12	Vis CHC M6x20																																																																															
6	6	Vis CHC M8x16																																																																															
7	2	Rondelle plate M4																																																																															
8	2	Rondelle plate M5																																																																															
9	12	Rondelle plate M6																																																																															
10	6	Rondelle plate M8																																																																															
11	8	Vis mollette M5																																																																															
12	4	Ecrou molleté M5																																																																															
13	4	Ecrou borgne M6																																																																															
<p>2 Kits visserie écran <i>2 Bolting kits (screens)</i></p>	 <table border="1" data-bbox="1155 1630 1382 1850"> <thead> <tr> <th>Rep</th> <th>Qté</th> <th>Désignation</th> <th>Désignation</th> </tr> </thead> <tbody> <tr><td>1</td><td>8</td><td>Rondelle 5/8"</td><td>Washer 5/8"</td></tr> <tr><td>2</td><td>8</td><td>Rondelle plate M8</td><td>Washer M8</td></tr> <tr><td>3</td><td>4</td><td>Entonnoir Ø10xØ7 lg 6</td><td>Spacer Ø10xØ7 lg 6</td></tr> <tr><td>4</td><td>4</td><td>Entonnoir Ø10xØ7 lg 10</td><td>Spacer Ø10xØ7 lg 10</td></tr> <tr><td>5</td><td>4</td><td>Entonnoir Ø15xØ8,4 lg 6,5</td><td>Spacer Ø15xØ8,4 lg 6,5</td></tr> <tr><td>6</td><td>4</td><td>Entonnoir Ø15xØ8,4 lg 12</td><td>Spacer Ø15xØ8,4 lg 12</td></tr> <tr><td>7</td><td>4</td><td>Entonnoir Ø15xØ8,4 lg 24</td><td>Spacer Ø15xØ8,4 lg 24</td></tr> <tr><td>8</td><td>4</td><td>Vis cruciforme M8x20</td><td>Cross-headed screw M8x20</td></tr> <tr><td>9</td><td>4</td><td>Vis cruciforme M8x25</td><td>Cross-headed screw M8x25</td></tr> <tr><td>10</td><td>4</td><td>Vis cruciforme M8x35</td><td>Cross-headed screw M8x35</td></tr> <tr><td>11</td><td>4</td><td>Vis cruciforme M8x45</td><td>Cross-headed screw M8x45</td></tr> <tr><td>12</td><td>4</td><td>Vis cruciforme M8x55</td><td>Cross-headed screw M8x55</td></tr> <tr><td>13</td><td>4</td><td>Vis cruciforme M8x70</td><td>Cross-headed screw M8x70</td></tr> <tr><td>14</td><td>4</td><td>Vis cruciforme M8x80</td><td>Cross-headed screw M8x80</td></tr> <tr><td>15</td><td>4</td><td>Vis cruciforme M8x90</td><td>Cross-headed screw M8x90</td></tr> <tr><td>16</td><td>2</td><td>Vis cruciforme M8x12</td><td>Cross-headed screw M8x12</td></tr> <tr><td>17</td><td>2</td><td>Vis CR8x M8x12</td><td>Screw CR8x M8x12</td></tr> <tr><td>18</td><td>4</td><td>Vis cruciforme M4x40</td><td>Cross-headed screw M4x40</td></tr> <tr><td>19</td><td>4</td><td>Vis cruciforme M4x20</td><td>Cross-headed screw M4x20</td></tr> </tbody> </table>	Rep	Qté	Désignation	Désignation	1	8	Rondelle 5/8"	Washer 5/8"	2	8	Rondelle plate M8	Washer M8	3	4	Entonnoir Ø10xØ7 lg 6	Spacer Ø10xØ7 lg 6	4	4	Entonnoir Ø10xØ7 lg 10	Spacer Ø10xØ7 lg 10	5	4	Entonnoir Ø15xØ8,4 lg 6,5	Spacer Ø15xØ8,4 lg 6,5	6	4	Entonnoir Ø15xØ8,4 lg 12	Spacer Ø15xØ8,4 lg 12	7	4	Entonnoir Ø15xØ8,4 lg 24	Spacer Ø15xØ8,4 lg 24	8	4	Vis cruciforme M8x20	Cross-headed screw M8x20	9	4	Vis cruciforme M8x25	Cross-headed screw M8x25	10	4	Vis cruciforme M8x35	Cross-headed screw M8x35	11	4	Vis cruciforme M8x45	Cross-headed screw M8x45	12	4	Vis cruciforme M8x55	Cross-headed screw M8x55	13	4	Vis cruciforme M8x70	Cross-headed screw M8x70	14	4	Vis cruciforme M8x80	Cross-headed screw M8x80	15	4	Vis cruciforme M8x90	Cross-headed screw M8x90	16	2	Vis cruciforme M8x12	Cross-headed screw M8x12	17	2	Vis CR8x M8x12	Screw CR8x M8x12	18	4	Vis cruciforme M4x40	Cross-headed screw M4x40	19	4	Vis cruciforme M4x20	Cross-headed screw M4x20
Rep	Qté	Désignation	Désignation																																																																														
1	8	Rondelle 5/8"	Washer 5/8"																																																																														
2	8	Rondelle plate M8	Washer M8																																																																														
3	4	Entonnoir Ø10xØ7 lg 6	Spacer Ø10xØ7 lg 6																																																																														
4	4	Entonnoir Ø10xØ7 lg 10	Spacer Ø10xØ7 lg 10																																																																														
5	4	Entonnoir Ø15xØ8,4 lg 6,5	Spacer Ø15xØ8,4 lg 6,5																																																																														
6	4	Entonnoir Ø15xØ8,4 lg 12	Spacer Ø15xØ8,4 lg 12																																																																														
7	4	Entonnoir Ø15xØ8,4 lg 24	Spacer Ø15xØ8,4 lg 24																																																																														
8	4	Vis cruciforme M8x20	Cross-headed screw M8x20																																																																														
9	4	Vis cruciforme M8x25	Cross-headed screw M8x25																																																																														
10	4	Vis cruciforme M8x35	Cross-headed screw M8x35																																																																														
11	4	Vis cruciforme M8x45	Cross-headed screw M8x45																																																																														
12	4	Vis cruciforme M8x55	Cross-headed screw M8x55																																																																														
13	4	Vis cruciforme M8x70	Cross-headed screw M8x70																																																																														
14	4	Vis cruciforme M8x80	Cross-headed screw M8x80																																																																														
15	4	Vis cruciforme M8x90	Cross-headed screw M8x90																																																																														
16	2	Vis cruciforme M8x12	Cross-headed screw M8x12																																																																														
17	2	Vis CR8x M8x12	Screw CR8x M8x12																																																																														
18	4	Vis cruciforme M4x40	Cross-headed screw M4x40																																																																														
19	4	Vis cruciforme M4x20	Cross-headed screw M4x20																																																																														
<p>Notice de montage <i>Assembly instruction</i></p>																																																																																	

- Colis N°2 : colonne avec carter  
*Package N°2 : column with carter*



- Colis N°3 : barre double écran avec 4 vis TBHC à embase M6x16  
*Package N°3 : Dual bar with 4 screws TBHC M6x16*



<b>OPTIONS</b>		
<i>Un support codec Codec holder</i>	SCUV12	
<i>Une tablette petit format Small shelf</i>	AX0011	
<i>Une tablette grand format Large shelf</i>	AX0012	

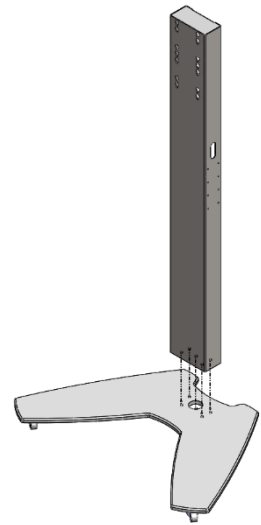
## NOTICE DE MONTAGE / ASSEMBLY INSTRUCTIONS

### Etape 1 :

- Monter la colonne sur le socle  
(4 vis CHC M8x16 + 4 rondelles M8)

### Step 1 :

- Fix the column to the base (4 CHC M8x16 screws + 4 M8 washers)

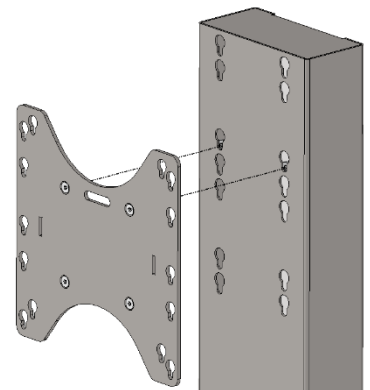


### Etape 2 :

- Retirer le film de protection et positionner la platine de fixation avec vis prémontées, sur la colonne  
(4 positions possibles)

### Step 2 :

- Remove the protection film and position the plate with pre-assembled screws on the column  
(4 possible positions)

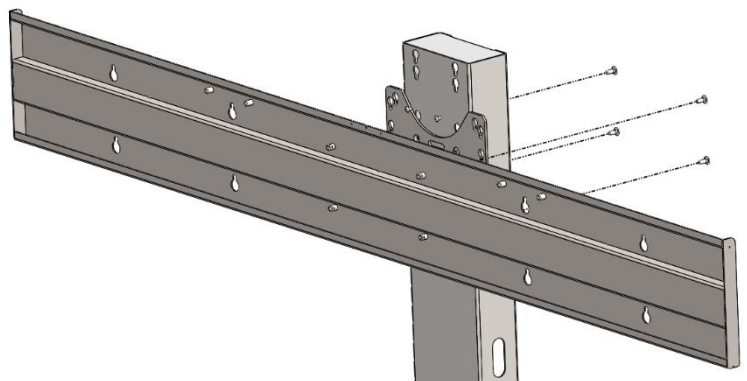


### Etape 3 :

- Monter la barre double sur la platine  
(4 vis TBHC à embase M6x16)

### Step 3 :

- Fit the dual bar on the plate  
(4 screws TBHC M6x16)

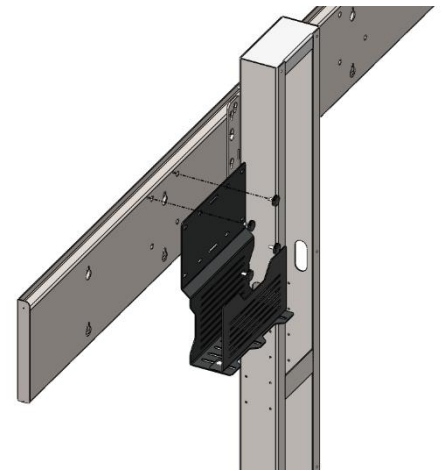


## **Etape 4 :** (option support codec)

- Monter le support codec derrière la barre double  
(4 vis moletée M5)

## **Step 4 :** (codec holder option)

- Fit the codec holder behind the dual bar  
(4 Knurled screws M5)

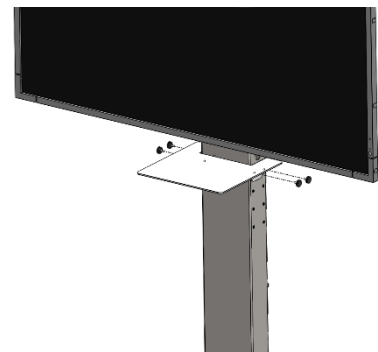


## **Etape 5 :** (option tablette petit format)

- Monter la tablette petit format sur la colonne  
(4 vis moletées M5)

## **Step 5 :** (small shelf option)

- Fit the small shelf on the column  
(4 knurled screws M5)

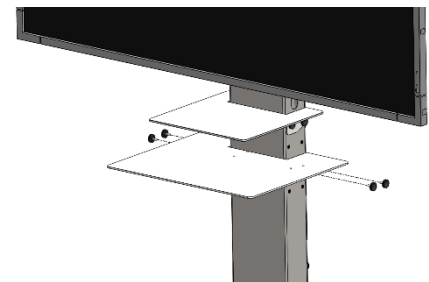


## **Etape 6 :** (option tablette grand format)

- Monter la tablette grand format sur la  
colonne  
(4 vis moletées M5)

## **Step 7 :** (large shelf option)

- Fit the large shelf on the column  
(4 knurled screws M5)

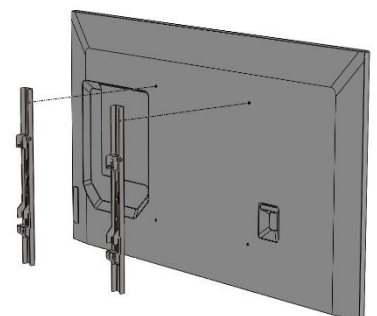


## **Etape 7 :**

- Monter les paires de fixations réglables sur les  
écrans  
(vis fournies dans le kit visserie écran)

## **Step 5 :**

- Fit the mountings brackets on the screens  
(screws provided in the bolting kit)

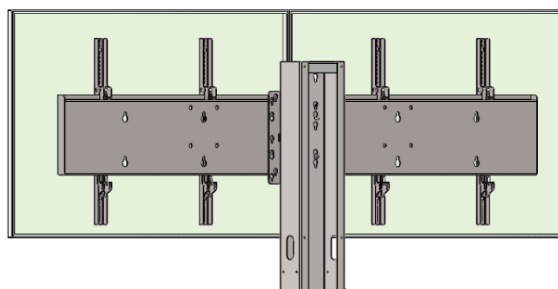


## Etape 8 :

- Monter les écrans sur la barre double

## Step 6 :

- *Fix the screens on the dual bar*



## Etape 9 :

- Procéder au câblage

## Step 9 :

- *Proceed with cabling*

## Etape 10 :

- Ajuster les écrans
- Sécuriser les écrans.

## Step 10 :

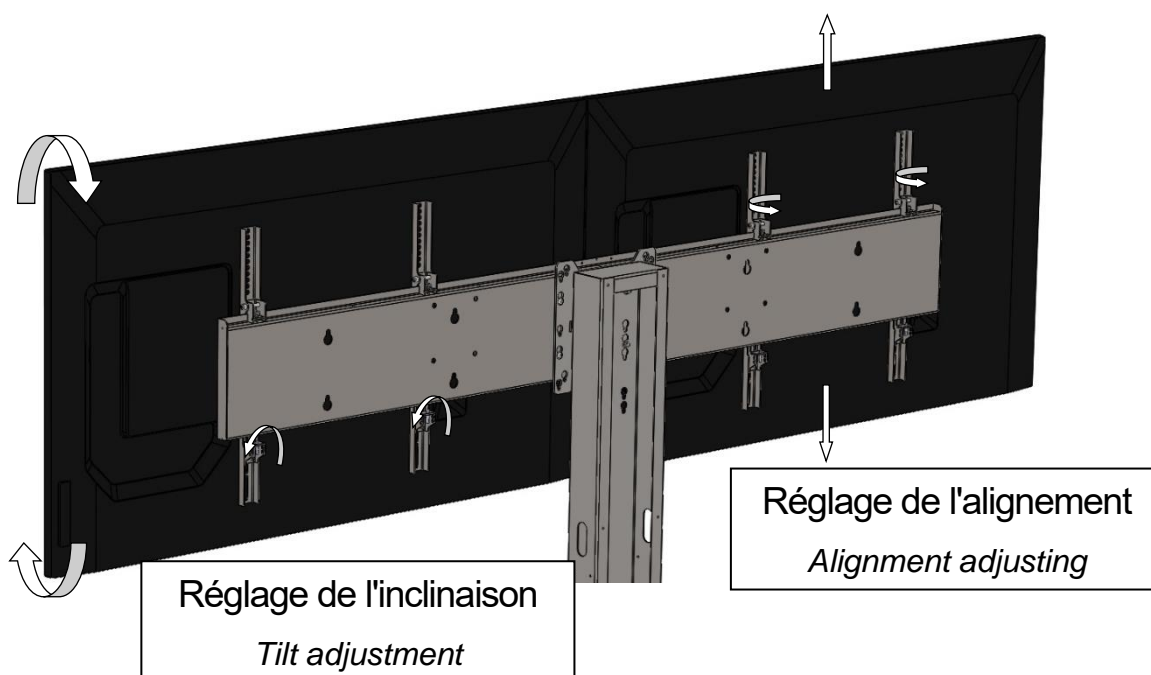
- *Adjust the screens*
- *Secure the screens*

### **Attention :**

Serrage juste en contact.  
Ne pas serrer trop fort

### **Warning :**

*Tightening just in contact.  
Do not tighten too hard*

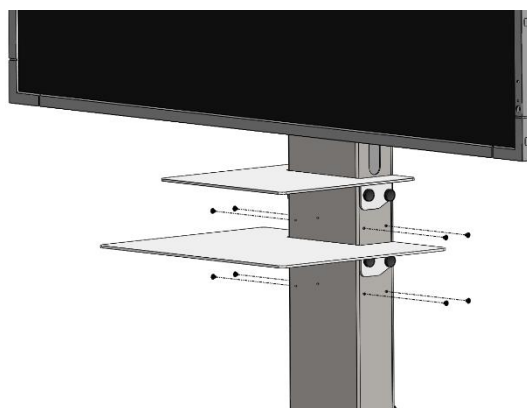


## **Etape 11 :**

- Mettre les bouchons sur la colonne aux emplacements non utilisés

## **Step 11 :**

- *Fit the caps in the empty holes of the column*

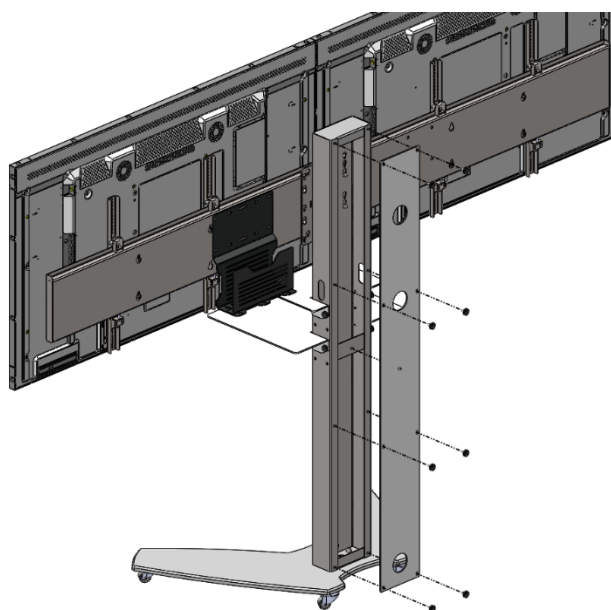


## **Etape 12 :**

- Retirer les films de protection du carter avant de le monter sur la colonne  
(8 vis moletées M5)

## **Step 12 :**

- *Remove the protective film of the rear cover before fitting it on the column  
(8 knurled screws M5)*





**Le montage de votre OSYX est terminé !**

***The assembly of your OSYX is over !***