

Notice de montage / Assembly instructions

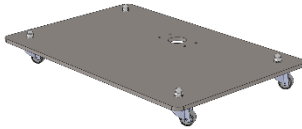






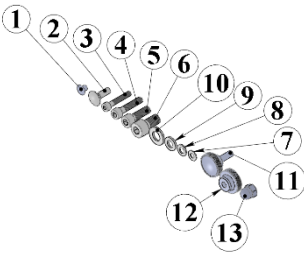
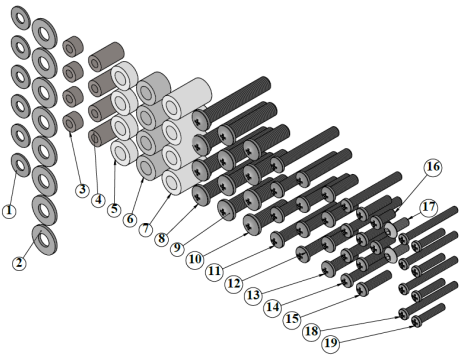
BOXER simple écran / BOXER single screen



Composition / Packing list :


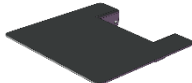
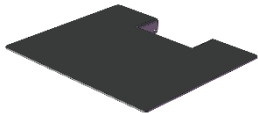
- Colis N°1 : socle + accessoires

Package N°1 : base + accessories

<p>Socle avec roulettes <i>Base with casters</i></p>																																																																																	
<p>1 barre VESA <i>1 VESA bar</i></p>																																																																																	
<p>Paire de fixations fixes <i>Mounting brackets</i></p>																																																																																	
<p>Une platine de fixation avec vis prémontées <i>Fixing plate with pre-mounted screws</i></p>																																																																																	
<p>Une multiprise <i>(unavailable for UK/DE)</i></p>																																																																																	
<p>8 Colliers de serrage <i>8 plastic clamps</i></p>																																																																																	
<p>Un jeu de clés <i>Allen key set</i></p>																																																																																	
<p>Un kit visserie meuble <i>Bolting kit (furniture)</i></p>	 <table border="1" data-bbox="1110 1245 1273 1525"> <thead> <tr> <th>Rep</th> <th>Qté</th> <th>Désignation</th> </tr> </thead> <tbody> <tr><td>1</td><td>16</td><td>Bouchon M5</td></tr> <tr><td>2</td><td>4</td><td>Vis japy M5x15</td></tr> <tr><td>3</td><td>2</td><td>Vis CHC M4x25</td></tr> <tr><td>4</td><td>2</td><td>Vis CHC M5x25</td></tr> <tr><td>5</td><td>12</td><td>Vis CHC M6x20</td></tr> <tr><td>6</td><td>6</td><td>Vis CHC M8x16</td></tr> <tr><td>7</td><td>2</td><td>Rondelle plate M4</td></tr> <tr><td>8</td><td>2</td><td>Rondelle plate M5</td></tr> <tr><td>9</td><td>12</td><td>Rondelle plate M6</td></tr> <tr><td>10</td><td>6</td><td>Rondelle plate M8</td></tr> <tr><td>11</td><td>8</td><td>Vis molette M5</td></tr> <tr><td>12</td><td>4</td><td>Ecrou molette M5</td></tr> <tr><td>13</td><td>4</td><td>Ecrou borgne M6</td></tr> </tbody> </table>	Rep	Qté	Désignation	1	16	Bouchon M5	2	4	Vis japy M5x15	3	2	Vis CHC M4x25	4	2	Vis CHC M5x25	5	12	Vis CHC M6x20	6	6	Vis CHC M8x16	7	2	Rondelle plate M4	8	2	Rondelle plate M5	9	12	Rondelle plate M6	10	6	Rondelle plate M8	11	8	Vis molette M5	12	4	Ecrou molette M5	13	4	Ecrou borgne M6																																						
Rep	Qté	Désignation																																																																															
1	16	Bouchon M5																																																																															
2	4	Vis japy M5x15																																																																															
3	2	Vis CHC M4x25																																																																															
4	2	Vis CHC M5x25																																																																															
5	12	Vis CHC M6x20																																																																															
6	6	Vis CHC M8x16																																																																															
7	2	Rondelle plate M4																																																																															
8	2	Rondelle plate M5																																																																															
9	12	Rondelle plate M6																																																																															
10	6	Rondelle plate M8																																																																															
11	8	Vis molette M5																																																																															
12	4	Ecrou molette M5																																																																															
13	4	Ecrou borgne M6																																																																															
<p>Kit visserie écran <i>Bolting kit (screens)</i></p>	 <table border="1" data-bbox="1155 1541 1382 1765"> <thead> <tr> <th>Rep</th> <th>Qté</th> <th>Désignation</th> <th>Désignation</th> </tr> </thead> <tbody> <tr><td>1</td><td>6</td><td>Rondelle M6</td><td>Washer M6</td></tr> <tr><td>2</td><td>8</td><td>Rondelle plate M8</td><td>Washer M8</td></tr> <tr><td>3</td><td>4</td><td>Entousse Ø15xØ5 lg 6</td><td>Spacer Ø15xØ5 lg 6</td></tr> <tr><td>4</td><td>4</td><td>Entousse Ø15xØ5 lg 10</td><td>Spacer Ø15xØ5 lg 10</td></tr> <tr><td>5</td><td>4</td><td>Entousse Ø15xØ8,4 lg 6,3</td><td>Spacer Ø15xØ8,4 lg 6,3</td></tr> <tr><td>6</td><td>4</td><td>Entousse Ø15xØ8,4 lg 12</td><td>Spacer Ø15xØ8,4 lg 12</td></tr> <tr><td>7</td><td>4</td><td>Entousse Ø15xØ8,4 lg 24</td><td>Spacer Ø15xØ8,4 lg 24</td></tr> <tr><td>8</td><td>4</td><td>Vis criciforme M8x50</td><td>Cross-headed screw M8x50</td></tr> <tr><td>9</td><td>4</td><td>Vis criciforme M8x35</td><td>Cross-headed screw M8x35</td></tr> <tr><td>10</td><td>4</td><td>Vis criciforme M8x25</td><td>Cross-headed screw M8x25</td></tr> <tr><td>11</td><td>4</td><td>Vis criciforme M6x45</td><td>Cross-headed screw M6x45</td></tr> <tr><td>12</td><td>4</td><td>Vis criciforme M6x35</td><td>Cross-headed screw M6x35</td></tr> <tr><td>13</td><td>4</td><td>Vis criciforme M6x20</td><td>Cross-headed screw M6x20</td></tr> <tr><td>14</td><td>4</td><td>Vis criciforme M5x40</td><td>Cross-headed screw M5x40</td></tr> <tr><td>15</td><td>4</td><td>Vis criciforme M5x20</td><td>Cross-headed screw M5x20</td></tr> <tr><td>16</td><td>2</td><td>Vis criciforme M5x12</td><td>Cross-headed screw M5x12</td></tr> <tr><td>17</td><td>2</td><td>Vis CBHC M5x12</td><td>Screw CBHC M5x12</td></tr> <tr><td>18</td><td>4</td><td>Vis criciforme M4x40</td><td>Cross-headed screw M4x40</td></tr> <tr><td>19</td><td>4</td><td>Vis criciforme M4x20</td><td>Cross-headed screw M4x20</td></tr> </tbody> </table>	Rep	Qté	Désignation	Désignation	1	6	Rondelle M6	Washer M6	2	8	Rondelle plate M8	Washer M8	3	4	Entousse Ø15xØ5 lg 6	Spacer Ø15xØ5 lg 6	4	4	Entousse Ø15xØ5 lg 10	Spacer Ø15xØ5 lg 10	5	4	Entousse Ø15xØ8,4 lg 6,3	Spacer Ø15xØ8,4 lg 6,3	6	4	Entousse Ø15xØ8,4 lg 12	Spacer Ø15xØ8,4 lg 12	7	4	Entousse Ø15xØ8,4 lg 24	Spacer Ø15xØ8,4 lg 24	8	4	Vis criciforme M8x50	Cross-headed screw M8x50	9	4	Vis criciforme M8x35	Cross-headed screw M8x35	10	4	Vis criciforme M8x25	Cross-headed screw M8x25	11	4	Vis criciforme M6x45	Cross-headed screw M6x45	12	4	Vis criciforme M6x35	Cross-headed screw M6x35	13	4	Vis criciforme M6x20	Cross-headed screw M6x20	14	4	Vis criciforme M5x40	Cross-headed screw M5x40	15	4	Vis criciforme M5x20	Cross-headed screw M5x20	16	2	Vis criciforme M5x12	Cross-headed screw M5x12	17	2	Vis CBHC M5x12	Screw CBHC M5x12	18	4	Vis criciforme M4x40	Cross-headed screw M4x40	19	4	Vis criciforme M4x20	Cross-headed screw M4x20
Rep	Qté	Désignation	Désignation																																																																														
1	6	Rondelle M6	Washer M6																																																																														
2	8	Rondelle plate M8	Washer M8																																																																														
3	4	Entousse Ø15xØ5 lg 6	Spacer Ø15xØ5 lg 6																																																																														
4	4	Entousse Ø15xØ5 lg 10	Spacer Ø15xØ5 lg 10																																																																														
5	4	Entousse Ø15xØ8,4 lg 6,3	Spacer Ø15xØ8,4 lg 6,3																																																																														
6	4	Entousse Ø15xØ8,4 lg 12	Spacer Ø15xØ8,4 lg 12																																																																														
7	4	Entousse Ø15xØ8,4 lg 24	Spacer Ø15xØ8,4 lg 24																																																																														
8	4	Vis criciforme M8x50	Cross-headed screw M8x50																																																																														
9	4	Vis criciforme M8x35	Cross-headed screw M8x35																																																																														
10	4	Vis criciforme M8x25	Cross-headed screw M8x25																																																																														
11	4	Vis criciforme M6x45	Cross-headed screw M6x45																																																																														
12	4	Vis criciforme M6x35	Cross-headed screw M6x35																																																																														
13	4	Vis criciforme M6x20	Cross-headed screw M6x20																																																																														
14	4	Vis criciforme M5x40	Cross-headed screw M5x40																																																																														
15	4	Vis criciforme M5x20	Cross-headed screw M5x20																																																																														
16	2	Vis criciforme M5x12	Cross-headed screw M5x12																																																																														
17	2	Vis CBHC M5x12	Screw CBHC M5x12																																																																														
18	4	Vis criciforme M4x40	Cross-headed screw M4x40																																																																														
19	4	Vis criciforme M4x20	Cross-headed screw M4x20																																																																														
<p>Notice de montage <i>Assembly instruction</i></p>																																																																																	

- Colis N°2 : colonne avec carter
Package N°2 : column with carter



OPTIONS		
<i>Un support codec Codec holder</i>	SCUV12	
<i>Une tablette petit format Small shelf</i>	AX0011	
<i>Une tablette grand format Large shelf</i>	AX0012	

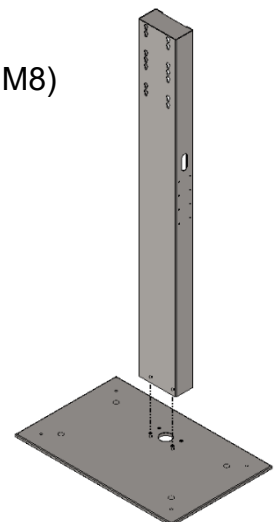
NOTICE DE MONTAGE / ASSEMBLY INSTRUCTIONS

Etape 1 :

- Monter la colonne sur le socle (4 vis CHC M8x16 + 4 rondelles M8)

Step 1 :

- Fix the column to the base (4 CHC M8x16 screws + 4 M8 washers)

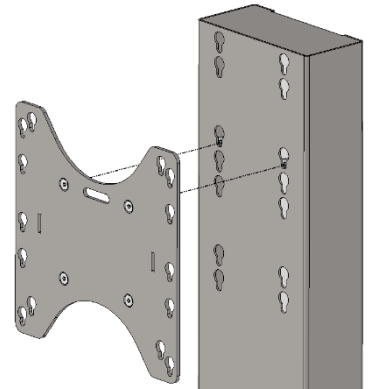


Etape 2 :

- Retirer le film de protection et positionner la platine de fixation avec vis prémontées, sur la colonne (4 positions possibles)

Step 2 :

- *Remove the protection film and position the plate with pre-assembled screws on the column (4 possible positions)*

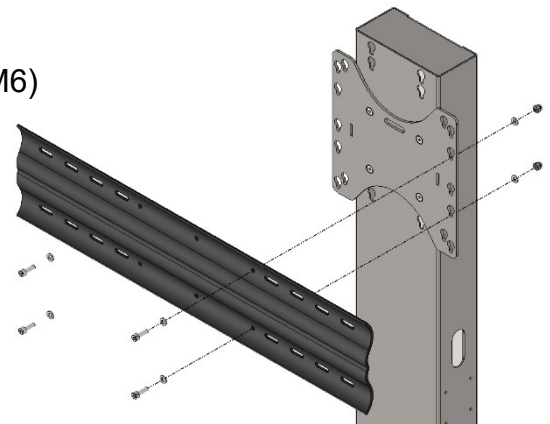


Etape 3 :

- Monter la barre VESA sur la platine (4 vis CHC M6x20 + 8 rondelles M6 + 4 écrous borgnes M6)

Step 3 :

- *Fit the VESA bar on the plate (4 screws CHC M6x20 + 8 washers M6 + 4 cap nuts M6)*

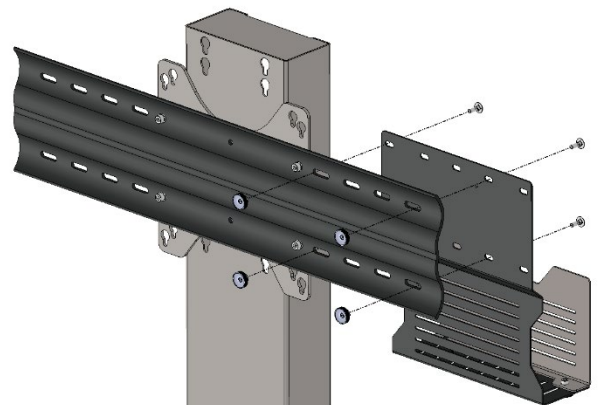


Etape 4 : (option support codec)

- Monter le support codec derrière la barre VESA (4 vis tête bombé carré M5x20 + 4 écrous moletés M5)

Step 4 : (codec holder option)

- *Fit the codec holder behind the VESA bar (4 Screws CBHC M5x20 + 4 Knurled screws M5)*

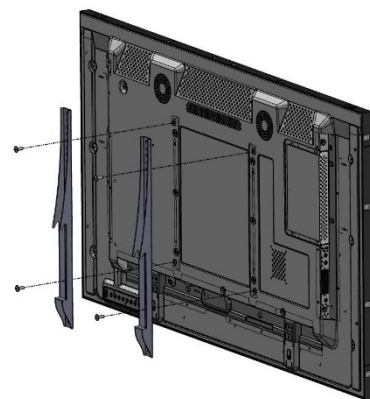


Etape 5 :

- Monter la paire de fixation sur l'écran
(vis fournies dans le kit visserie écran)

Step 5 :

- *Fit the mounting brackets on the screen
(screws provided in the bolting kit)*

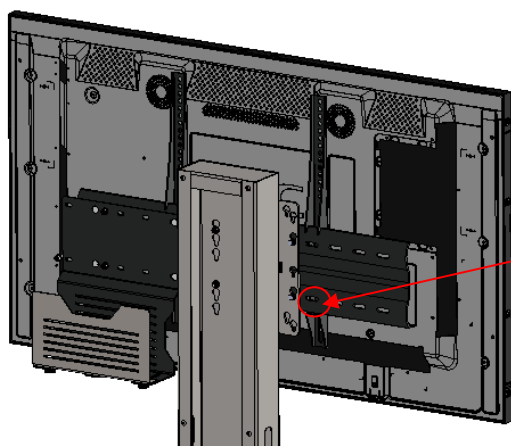


Etape 6 :

- Monter l'écran sur la barre VESA
- Sécuriser l'écran (vis fournies dans le kit visserie écran)

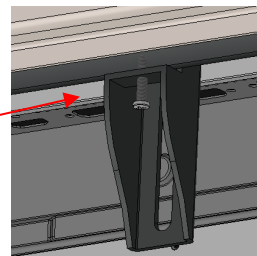
Step 6 :

- *Fit the screen on the VESA bar*
- *Secure the screen (screws provided in the bolting kit)*



Warning :

Tightening just in contact.
Do not tighten too hard



Attention :

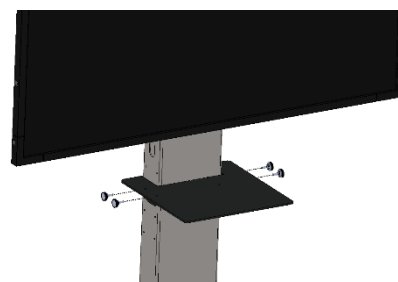
Serrage juste en contact.
Ne pas serrer trop fort

Etape 7 : (option tablette petit format)

- Monter la tablette petit format sur la colonne
(4 vis moletées M5)

Step 7 : (small shelf option)

- *Fit the small shelf on the column (4 knurled screws M5)*

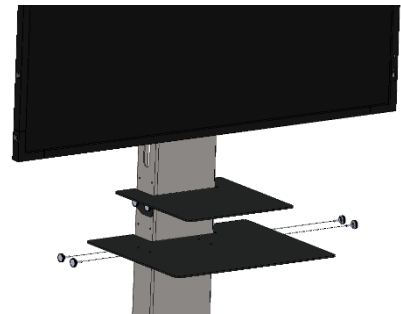


Etape 8 : (option tablette grand format)

- Monter la tablette grand format sur la colonne (4 vis moletées M5)

Step 8 : (large shelf option)

- *Fit the large shelf on the column (4 knurled screws M5)*



Etape 9 :

- Procéder au câblage

Step 9 :

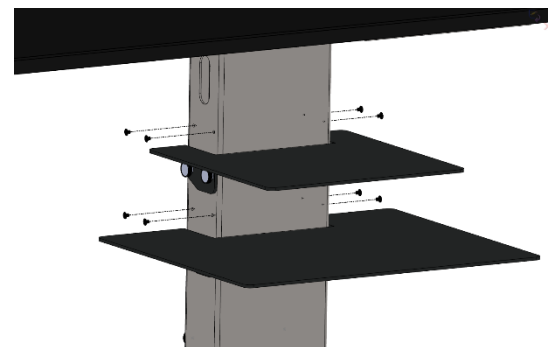
- *Proceed with cabling*

Etape 10 :

- Mettre les bouchons sur la colonne aux emplacements non utilisés

Step 10 :

- *Fit the caps in the empty holes of the column*

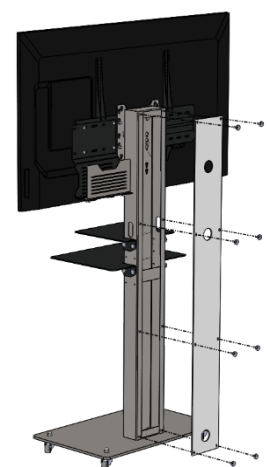


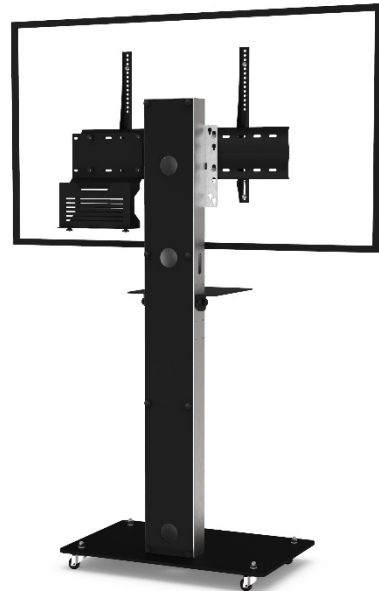
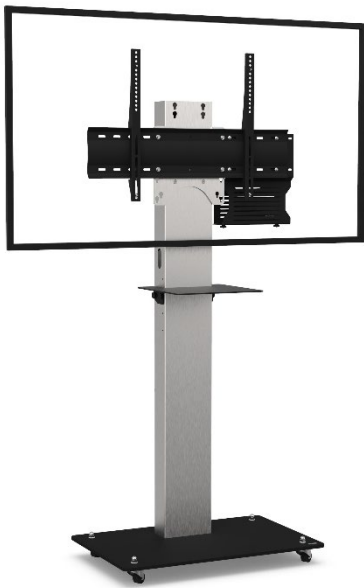
Etape 11 :

- Retirer les films de protection du carter avant de le monter sur la colonne
8 vis moletées M5

Step 11 :

- *Remove the protective films of the rear covers before fitting them on the column
8 knurled screws M5*





Le montage de votre BOXER est terminé !

The assembly of your BOXER is over !