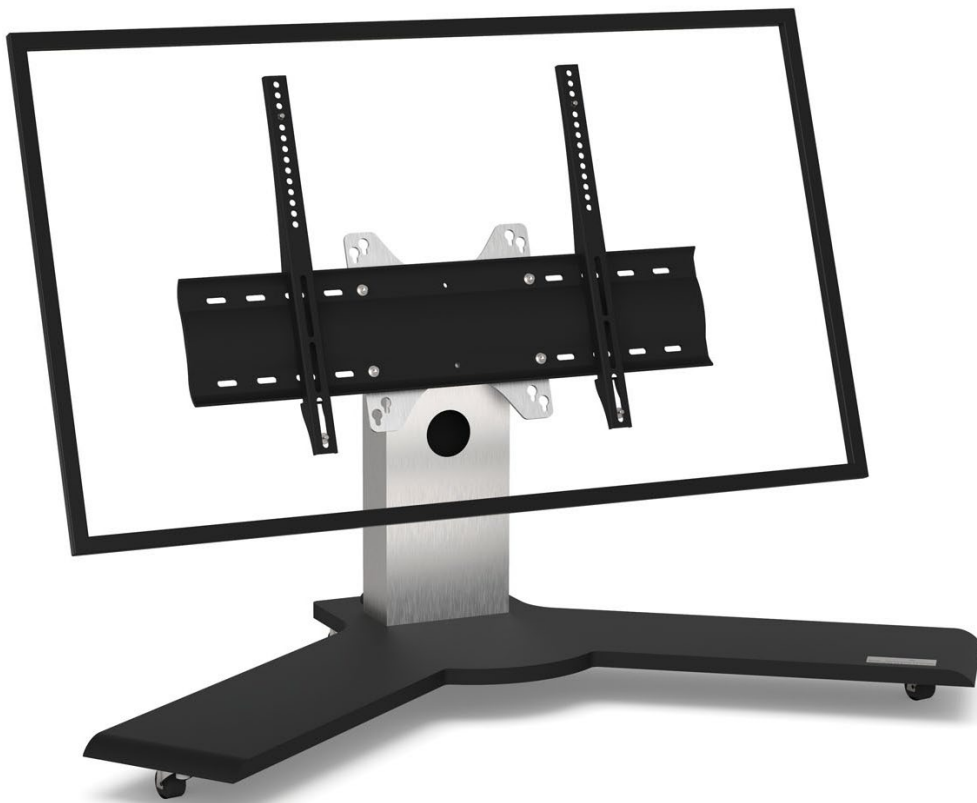


Notice de montage / Assembly instructions

EKINOX-XS



Composition / Packing list :

- Colis N°1 : socle + accessoires

Package N°1 : base + accessories

<p>Socle avec roulettes <i>Base with casters</i></p>																																																																																	
<p>1 barre VESA <i>1 VESA bar</i></p>																																																																																	
<p>Paire de fixations fixes <i>Mounting brackets</i></p>																																																																																	
<p>Colonne avec habillage arrière <i>Column with cover</i></p>																																																																																	
<p>Une multiprise <i>(unavailable for UK/DE)</i></p>																																																																																	
<p>8 Colliers de serrage <i>8 plastic clamps</i></p>																																																																																	
<p>Un jeu de clés <i>Allen key set</i></p>																																																																																	
<p>Un kit visserie meuble <i>Bolting kit (furniture)</i></p>	 <table border="1" data-bbox="1110 1283 1278 1563"> <thead> <tr> <th>Rep</th> <th>Qté</th> <th>Désignation</th> </tr> </thead> <tbody> <tr><td>1</td><td>16</td><td>Bouchon M5</td></tr> <tr><td>2</td><td>4</td><td>Vis japy M5x15</td></tr> <tr><td>3</td><td>2</td><td>Vis CHC M4x25</td></tr> <tr><td>4</td><td>2</td><td>Vis CHC M5x25</td></tr> <tr><td>5</td><td>12</td><td>Vis CHC M6x20</td></tr> <tr><td>6</td><td>6</td><td>Vis CHC M8x16</td></tr> <tr><td>7</td><td>2</td><td>Rondelle plate M4</td></tr> <tr><td>8</td><td>2</td><td>Rondelle plate M5</td></tr> <tr><td>9</td><td>12</td><td>Rondelle plate M6</td></tr> <tr><td>10</td><td>6</td><td>Rondelle plate M8</td></tr> <tr><td>11</td><td>8</td><td>Vis moletée M5</td></tr> <tr><td>12</td><td>4</td><td>Ecrou moleté M5</td></tr> <tr><td>13</td><td>4</td><td>Ecrou borgne M6</td></tr> </tbody> </table>	Rep	Qté	Désignation	1	16	Bouchon M5	2	4	Vis japy M5x15	3	2	Vis CHC M4x25	4	2	Vis CHC M5x25	5	12	Vis CHC M6x20	6	6	Vis CHC M8x16	7	2	Rondelle plate M4	8	2	Rondelle plate M5	9	12	Rondelle plate M6	10	6	Rondelle plate M8	11	8	Vis moletée M5	12	4	Ecrou moleté M5	13	4	Ecrou borgne M6																																						
Rep	Qté	Désignation																																																																															
1	16	Bouchon M5																																																																															
2	4	Vis japy M5x15																																																																															
3	2	Vis CHC M4x25																																																																															
4	2	Vis CHC M5x25																																																																															
5	12	Vis CHC M6x20																																																																															
6	6	Vis CHC M8x16																																																																															
7	2	Rondelle plate M4																																																																															
8	2	Rondelle plate M5																																																																															
9	12	Rondelle plate M6																																																																															
10	6	Rondelle plate M8																																																																															
11	8	Vis moletée M5																																																																															
12	4	Ecrou moleté M5																																																																															
13	4	Ecrou borgne M6																																																																															
<p>Kit visserie écran <i>Bolting kit (screens)</i></p>	 <table border="1" data-bbox="1153 1581 1385 1798"> <thead> <tr> <th>Rep</th> <th>Qté</th> <th>Désignation</th> <th>Désignation</th> </tr> </thead> <tbody> <tr><td>1</td><td>6</td><td>Rondelle M6</td><td>Washer M6</td></tr> <tr><td>2</td><td>8</td><td>Rondelle plate M8</td><td>Washer M8</td></tr> <tr><td>3</td><td>4</td><td>Entretoise O15xO5 lg 6</td><td>Spacer O15xO5 lg 6</td></tr> <tr><td>4</td><td>4</td><td>Entretoise O15xO5 lg 10</td><td>Spacer O15xO5 lg 10</td></tr> <tr><td>5</td><td>4</td><td>Entretoise O15xO8.4 lg 6.3</td><td>Spacer O15xO8.4 lg 6.3</td></tr> <tr><td>6</td><td>4</td><td>Entretoise O15xO8.4 lg 12</td><td>Spacer O15xO8.4 lg 12</td></tr> <tr><td>7</td><td>4</td><td>Entretoise O15xO8.4 lg 24</td><td>Spacer O15xO8.4 lg 24</td></tr> <tr><td>8</td><td>4</td><td>Vis criciforme M8x50</td><td>Cross-headed screw M8x50</td></tr> <tr><td>9</td><td>4</td><td>Vis criciforme M8x35</td><td>Cross-headed screw M8x35</td></tr> <tr><td>10</td><td>4</td><td>Vis criciforme M8x25</td><td>Cross-headed screw M8x25</td></tr> <tr><td>11</td><td>4</td><td>Vis criciforme M6x45</td><td>Cross-headed screw M6x45</td></tr> <tr><td>12</td><td>4</td><td>Vis criciforme M6x35</td><td>Cross-headed screw M6x35</td></tr> <tr><td>13</td><td>4</td><td>Vis criciforme M6x20</td><td>Cross-headed screw M6x20</td></tr> <tr><td>14</td><td>4</td><td>Vis criciforme M5x40</td><td>Cross-headed screw M5x40</td></tr> <tr><td>15</td><td>4</td><td>Vis criciforme M5x20</td><td>Cross-headed screw M5x20</td></tr> <tr><td>16</td><td>2</td><td>Vis criciforme M5x12</td><td>Cross-headed screw M5x12</td></tr> <tr><td>17</td><td>2</td><td>Vis CBHC M5x12</td><td>Screw CBHC M5x12</td></tr> <tr><td>18</td><td>4</td><td>Vis criciforme M4x40</td><td>Cross-headed screw M4x40</td></tr> <tr><td>19</td><td>4</td><td>Vis criciforme M4x20</td><td>Cross-headed screw M4x20</td></tr> </tbody> </table>	Rep	Qté	Désignation	Désignation	1	6	Rondelle M6	Washer M6	2	8	Rondelle plate M8	Washer M8	3	4	Entretoise O15xO5 lg 6	Spacer O15xO5 lg 6	4	4	Entretoise O15xO5 lg 10	Spacer O15xO5 lg 10	5	4	Entretoise O15xO8.4 lg 6.3	Spacer O15xO8.4 lg 6.3	6	4	Entretoise O15xO8.4 lg 12	Spacer O15xO8.4 lg 12	7	4	Entretoise O15xO8.4 lg 24	Spacer O15xO8.4 lg 24	8	4	Vis criciforme M8x50	Cross-headed screw M8x50	9	4	Vis criciforme M8x35	Cross-headed screw M8x35	10	4	Vis criciforme M8x25	Cross-headed screw M8x25	11	4	Vis criciforme M6x45	Cross-headed screw M6x45	12	4	Vis criciforme M6x35	Cross-headed screw M6x35	13	4	Vis criciforme M6x20	Cross-headed screw M6x20	14	4	Vis criciforme M5x40	Cross-headed screw M5x40	15	4	Vis criciforme M5x20	Cross-headed screw M5x20	16	2	Vis criciforme M5x12	Cross-headed screw M5x12	17	2	Vis CBHC M5x12	Screw CBHC M5x12	18	4	Vis criciforme M4x40	Cross-headed screw M4x40	19	4	Vis criciforme M4x20	Cross-headed screw M4x20
Rep	Qté	Désignation	Désignation																																																																														
1	6	Rondelle M6	Washer M6																																																																														
2	8	Rondelle plate M8	Washer M8																																																																														
3	4	Entretoise O15xO5 lg 6	Spacer O15xO5 lg 6																																																																														
4	4	Entretoise O15xO5 lg 10	Spacer O15xO5 lg 10																																																																														
5	4	Entretoise O15xO8.4 lg 6.3	Spacer O15xO8.4 lg 6.3																																																																														
6	4	Entretoise O15xO8.4 lg 12	Spacer O15xO8.4 lg 12																																																																														
7	4	Entretoise O15xO8.4 lg 24	Spacer O15xO8.4 lg 24																																																																														
8	4	Vis criciforme M8x50	Cross-headed screw M8x50																																																																														
9	4	Vis criciforme M8x35	Cross-headed screw M8x35																																																																														
10	4	Vis criciforme M8x25	Cross-headed screw M8x25																																																																														
11	4	Vis criciforme M6x45	Cross-headed screw M6x45																																																																														
12	4	Vis criciforme M6x35	Cross-headed screw M6x35																																																																														
13	4	Vis criciforme M6x20	Cross-headed screw M6x20																																																																														
14	4	Vis criciforme M5x40	Cross-headed screw M5x40																																																																														
15	4	Vis criciforme M5x20	Cross-headed screw M5x20																																																																														
16	2	Vis criciforme M5x12	Cross-headed screw M5x12																																																																														
17	2	Vis CBHC M5x12	Screw CBHC M5x12																																																																														
18	4	Vis criciforme M4x40	Cross-headed screw M4x40																																																																														
19	4	Vis criciforme M4x20	Cross-headed screw M4x20																																																																														
<p>Notice de montage <i>Assembly instruction</i></p>																																																																																	

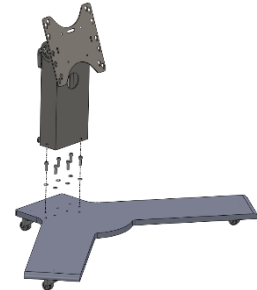
NOTICE DE MONTAGE / ASSEMBLY INSTRUCTIONS

Etape 1 :

- Monter la colonne sur le socle
(4 vis CHC M8x16 + 4 rondelles M8)

Step 1 :

- *Fix the column to the base
(4 CHC M8x16 screws + 4 M8 washers)*



Etape 2 :

- Si l'écran possède un VESA 200x200, monter directement l'écran sur la platine (vis fournies dans le sachet de visserie écran)

Step 2 :

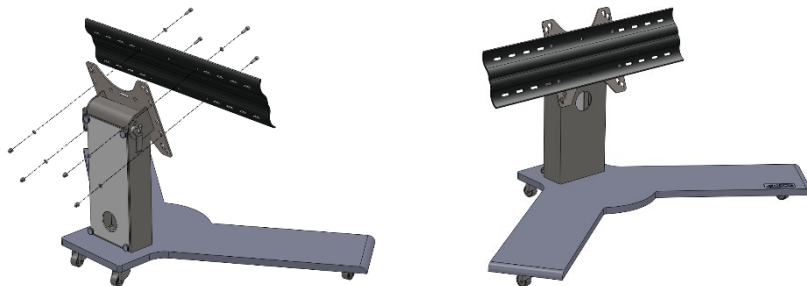
- *If the screen has a VESA 200x200, mount the screen directly on the plate
(screws supplied in the screen screws bag)*

Etape 3 :

- Monter la barre VESA sur la platine (4 vis CHC M6x20 + 8 rondelles M6+4 écrous borgnes M6)

Step 3 :

- *Fix the VESA bar on the plate (4 screws CHC M6x20+8 washers M6+4 cap nuts M6)*

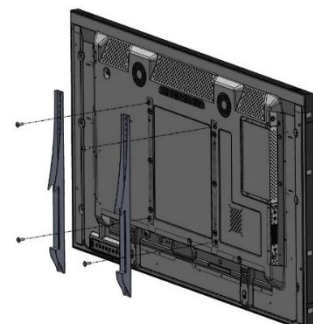


Etape 4 :

- Monter la paire de fixations fixes sur l'écran
(vis fournies dans le kit visserie écran)

Step 4 :

- *Fix the mounting brackets on the screen
(screws provided in the bolting kit)*



Etape 5 :

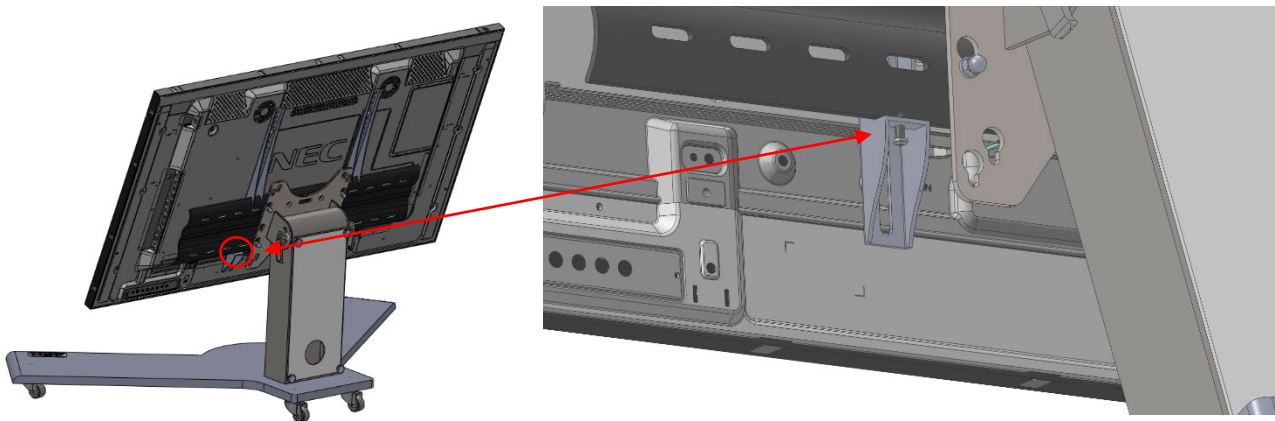
- Monter l'écran sur la barre VESA
- Sécuriser l'écran (vis fournies dans le kit visserie écran)

Step 5 :

- *Fit the screen on the VESA bar*
- *Secure the screen (screws provided in the bolting kit)*

Warning :

Tightening just in contact.
Do not tighten too hard



Attention :

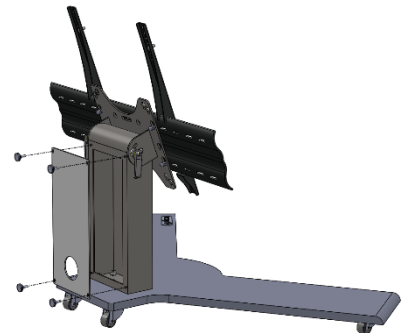
Serrage juste en contact.
Ne pas serrer trop fort

Etape 6 :

- Procéder au câblage et fermer la colonne avec l'habillage arrière

Step 6 :

- *Proceed with cabling and close the column with the rear cover*



Le montage de votre EKINOX-XS est terminé !

Your EKINOX-XS is ready !