

Notice de montage / Assembly instructions

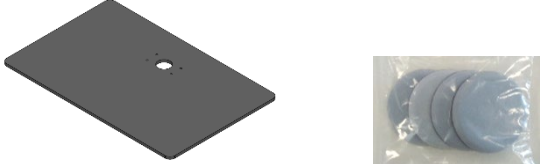





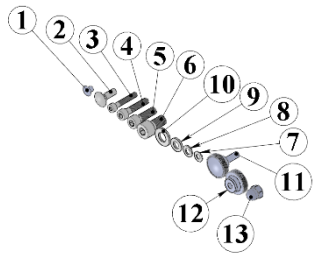
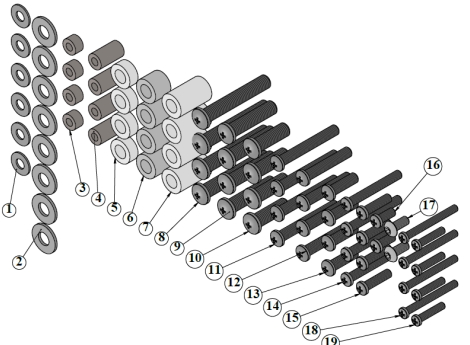
OBOX TOUCH



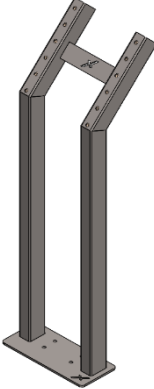
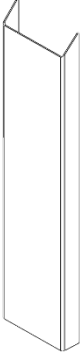

Composition / Packing list :

- Colis N°1 : socle + accessoires

Package N°1 : base + accessories

<p>Socle + 4 patins téflons Base + 4 Teflon pads</p>																																																																																	
<p>1 barre VESA 1 VESA bar</p>																																																																																	
<p>Paire de fixations fixes Mounting brackets</p>																																																																																	
<p>Une multiprise (unavailable for UK/DE)</p>																																																																																	
<p>6 x embases autoadhésives serre câbles 6 x self-adhesive cable ties</p>																																																																																	
<p>8 Colliers de serrage 8 plastic clamps</p>																																																																																	
<p>Un jeu de clés Allen key set</p>																																																																																	
<p>Un kit visserie meuble Bolting kit (furniture)</p>	 <table border="1" data-bbox="1107 1339 1283 1621"> <thead> <tr> <th>Rep</th> <th>Qté</th> <th>Désignation</th> </tr> </thead> <tbody> <tr><td>1</td><td>16</td><td>Bouchon M5</td></tr> <tr><td>2</td><td>4</td><td>Vis jappé M5x15</td></tr> <tr><td>3</td><td>2</td><td>Vis CHC M4x25</td></tr> <tr><td>4</td><td>2</td><td>Vis CHC M5x25</td></tr> <tr><td>5</td><td>12</td><td>Vis CHC M6x20</td></tr> <tr><td>6</td><td>6</td><td>Vis CHC M8x16</td></tr> <tr><td>7</td><td>2</td><td>Rondelle plate M4</td></tr> <tr><td>8</td><td>2</td><td>Rondelle plate M5</td></tr> <tr><td>9</td><td>12</td><td>Rondelle plate M6</td></tr> <tr><td>10</td><td>6</td><td>Rondelle plate M8</td></tr> <tr><td>11</td><td>8</td><td>Vis molette M5</td></tr> <tr><td>12</td><td>4</td><td>Ecrou molette M5</td></tr> <tr><td>13</td><td>4</td><td>Ecrou borgne M6</td></tr> </tbody> </table>	Rep	Qté	Désignation	1	16	Bouchon M5	2	4	Vis jappé M5x15	3	2	Vis CHC M4x25	4	2	Vis CHC M5x25	5	12	Vis CHC M6x20	6	6	Vis CHC M8x16	7	2	Rondelle plate M4	8	2	Rondelle plate M5	9	12	Rondelle plate M6	10	6	Rondelle plate M8	11	8	Vis molette M5	12	4	Ecrou molette M5	13	4	Ecrou borgne M6																																						
Rep	Qté	Désignation																																																																															
1	16	Bouchon M5																																																																															
2	4	Vis jappé M5x15																																																																															
3	2	Vis CHC M4x25																																																																															
4	2	Vis CHC M5x25																																																																															
5	12	Vis CHC M6x20																																																																															
6	6	Vis CHC M8x16																																																																															
7	2	Rondelle plate M4																																																																															
8	2	Rondelle plate M5																																																																															
9	12	Rondelle plate M6																																																																															
10	6	Rondelle plate M8																																																																															
11	8	Vis molette M5																																																																															
12	4	Ecrou molette M5																																																																															
13	4	Ecrou borgne M6																																																																															
<p>Kit visserie écran Bolting kit (screens)</p>	 <table border="1" data-bbox="1155 1637 1378 1854"> <thead> <tr> <th>Rep</th> <th>Qté</th> <th>Désignation</th> <th>Désignation</th> </tr> </thead> <tbody> <tr><td>1</td><td>6</td><td>Rondelle M6</td><td>Washer M6</td></tr> <tr><td>2</td><td>8</td><td>Rondelle plate M8</td><td>Washer M8</td></tr> <tr><td>3</td><td>4</td><td>Entretienne Ø10xØ5 lg 6</td><td>Spacer Ø10xØ5 lg 6</td></tr> <tr><td>4</td><td>4</td><td>Entretienne Ø10xØ5 lg 18</td><td>Spacer Ø10xØ5 lg 18</td></tr> <tr><td>5</td><td>4</td><td>Entretienne Ø13xØ8 4 lg 6,3</td><td>Spacer Ø13xØ8 4 lg 6,3</td></tr> <tr><td>6</td><td>4</td><td>Entretienne Ø13xØ8 4 lg 12</td><td>Spacer Ø13xØ8 4 lg 12</td></tr> <tr><td>7</td><td>4</td><td>Entretienne Ø13xØ8 4 lg 24</td><td>Spacer Ø13xØ8 4 lg 24</td></tr> <tr><td>8</td><td>4</td><td>Vis encastrement M4x50</td><td>Cross-vented screw M4x50</td></tr> <tr><td>9</td><td>4</td><td>Vis encastrement M4x25</td><td>Cross-vented screw M4x25</td></tr> <tr><td>10</td><td>4</td><td>Vis encastrement M4x25</td><td>Cross-vented screw M4x25</td></tr> <tr><td>11</td><td>4</td><td>Vis encastrement M4x45</td><td>Cross-vented screw M4x45</td></tr> <tr><td>12</td><td>4</td><td>Vis encastrement M4x35</td><td>Cross-vented screw M4x35</td></tr> <tr><td>13</td><td>4</td><td>Vis encastrement M4x30</td><td>Cross-vented screw M4x30</td></tr> <tr><td>14</td><td>4</td><td>Vis encastrement M5x40</td><td>Cross-vented screw M5x40</td></tr> <tr><td>15</td><td>4</td><td>Vis encastrement M5x20</td><td>Cross-vented screw M5x20</td></tr> <tr><td>16</td><td>2</td><td>Vis encastrement M5x12</td><td>Cross-vented screw M5x12</td></tr> <tr><td>17</td><td>2</td><td>Vis CHHC M5x12</td><td>Screw CHHC M5x12</td></tr> <tr><td>18</td><td>4</td><td>Vis encastrement M4x40</td><td>Cross-vented screw M4x40</td></tr> <tr><td>19</td><td>4</td><td>Vis encastrement M4x20</td><td>Cross-vented screw M4x20</td></tr> </tbody> </table>	Rep	Qté	Désignation	Désignation	1	6	Rondelle M6	Washer M6	2	8	Rondelle plate M8	Washer M8	3	4	Entretienne Ø10xØ5 lg 6	Spacer Ø10xØ5 lg 6	4	4	Entretienne Ø10xØ5 lg 18	Spacer Ø10xØ5 lg 18	5	4	Entretienne Ø13xØ8 4 lg 6,3	Spacer Ø13xØ8 4 lg 6,3	6	4	Entretienne Ø13xØ8 4 lg 12	Spacer Ø13xØ8 4 lg 12	7	4	Entretienne Ø13xØ8 4 lg 24	Spacer Ø13xØ8 4 lg 24	8	4	Vis encastrement M4x50	Cross-vented screw M4x50	9	4	Vis encastrement M4x25	Cross-vented screw M4x25	10	4	Vis encastrement M4x25	Cross-vented screw M4x25	11	4	Vis encastrement M4x45	Cross-vented screw M4x45	12	4	Vis encastrement M4x35	Cross-vented screw M4x35	13	4	Vis encastrement M4x30	Cross-vented screw M4x30	14	4	Vis encastrement M5x40	Cross-vented screw M5x40	15	4	Vis encastrement M5x20	Cross-vented screw M5x20	16	2	Vis encastrement M5x12	Cross-vented screw M5x12	17	2	Vis CHHC M5x12	Screw CHHC M5x12	18	4	Vis encastrement M4x40	Cross-vented screw M4x40	19	4	Vis encastrement M4x20	Cross-vented screw M4x20
Rep	Qté	Désignation	Désignation																																																																														
1	6	Rondelle M6	Washer M6																																																																														
2	8	Rondelle plate M8	Washer M8																																																																														
3	4	Entretienne Ø10xØ5 lg 6	Spacer Ø10xØ5 lg 6																																																																														
4	4	Entretienne Ø10xØ5 lg 18	Spacer Ø10xØ5 lg 18																																																																														
5	4	Entretienne Ø13xØ8 4 lg 6,3	Spacer Ø13xØ8 4 lg 6,3																																																																														
6	4	Entretienne Ø13xØ8 4 lg 12	Spacer Ø13xØ8 4 lg 12																																																																														
7	4	Entretienne Ø13xØ8 4 lg 24	Spacer Ø13xØ8 4 lg 24																																																																														
8	4	Vis encastrement M4x50	Cross-vented screw M4x50																																																																														
9	4	Vis encastrement M4x25	Cross-vented screw M4x25																																																																														
10	4	Vis encastrement M4x25	Cross-vented screw M4x25																																																																														
11	4	Vis encastrement M4x45	Cross-vented screw M4x45																																																																														
12	4	Vis encastrement M4x35	Cross-vented screw M4x35																																																																														
13	4	Vis encastrement M4x30	Cross-vented screw M4x30																																																																														
14	4	Vis encastrement M5x40	Cross-vented screw M5x40																																																																														
15	4	Vis encastrement M5x20	Cross-vented screw M5x20																																																																														
16	2	Vis encastrement M5x12	Cross-vented screw M5x12																																																																														
17	2	Vis CHHC M5x12	Screw CHHC M5x12																																																																														
18	4	Vis encastrement M4x40	Cross-vented screw M4x40																																																																														
19	4	Vis encastrement M4x20	Cross-vented screw M4x20																																																																														
<p>Notice de montage Assembly instruction</p>																																																																																	

- Colis N°2 :
Package N°2 :

Colonne <i>Column</i>	Plaque en plexiglass <i>Plexiglass plate</i>	2 bouchons <i>2 caps</i>
		

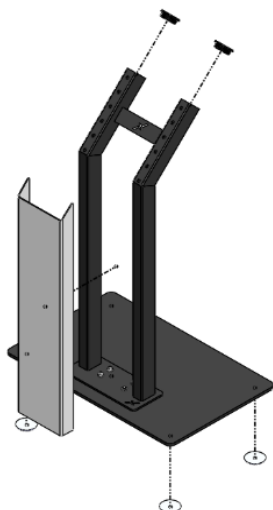
NOTICE DE MONTAGE / ASSEMBLY INSTRUCTIONS

Etape 1 :

- Monter la colonne sur le socle
(4 vis CHC M8x16 + 4 rondelles M8)

Step 1 :

- *Fix the column to the base
(4 CHC M8x16 screws + 4 M8 washers)*

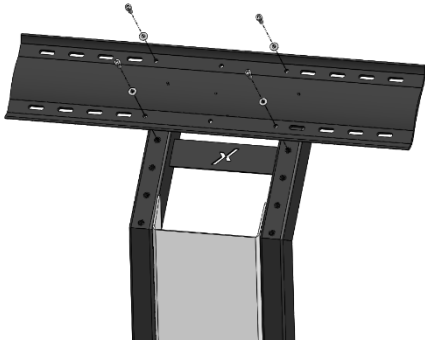


Etape 2 :

- Monter le plexiglass entre les 2 tubes
- Coller les patins téflons sur le socle
- Emmancher les 2 bouchons

Step 2 :

- *Fit the plexiglass plate between the two tubes of the column*
- *Glue the Teflon pads under the base*
- *Fit the 2 caps*



Etape 3 :

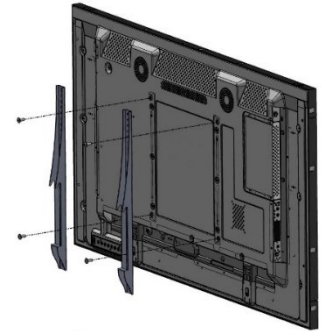
- Monter la barre VESA sur la colonne (4 vis CHC M6x16 + 4 rondelles M6)

Step 4 :

- *Fix the VESA bar on the column (4 CHC M6x16 + 4 washers M6)*

Etape 4 :

- Monter la paire de fixation sur l'écran (vis fournies dans le kit visserie écran)
- Monter l'écran sur la barre VESA
- Sécuriser l'écran (vis fournies dans le kit visse écran)



Step 4 :

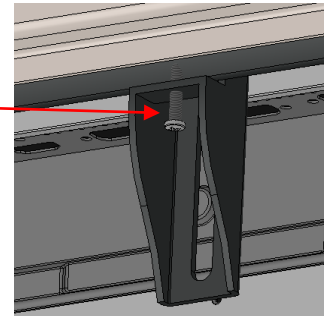
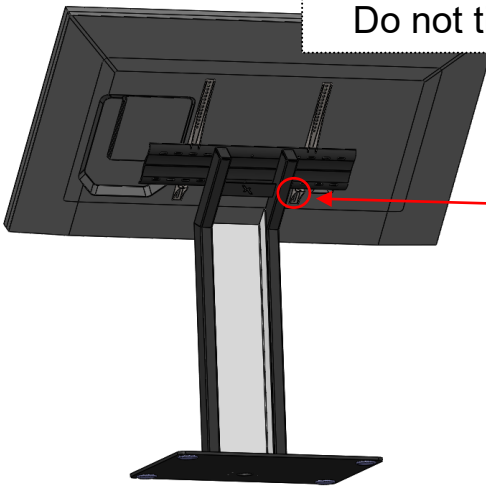
- *Fit the mounting brackets on the screen (screws provided in the bolting kit)*
- *Fit the screen on the VESA bar*
- *Secure the screen (screws provided in the bolting kit)*

Warning :

Tightening just in contact.
Do not tighten too hard

Attention :

Serrage juste en contact.
Ne pas serrer trop fort



Etape 5 :

- Procéder au câblage

Step 5 :

- *Proceed with cabling*

Le montage de votre OBOX TOUCH est terminé !

Your OBOX TOUCH is ready !