

Notice de montage / Assembly instructions

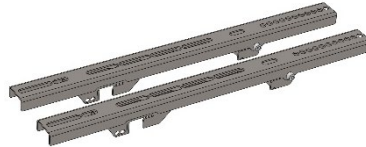
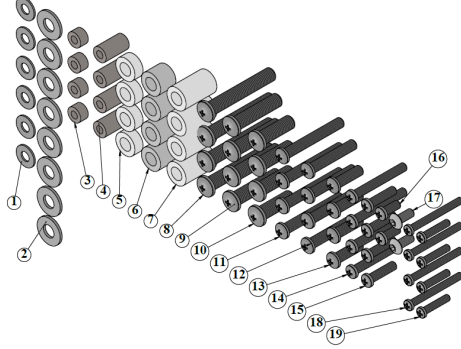
STILIX WIDE double écran / STILIX WIDE dual screen



Composition / Packing list :

- Colis N°1 : socle + accessoires

Package N°1 : base + accessories

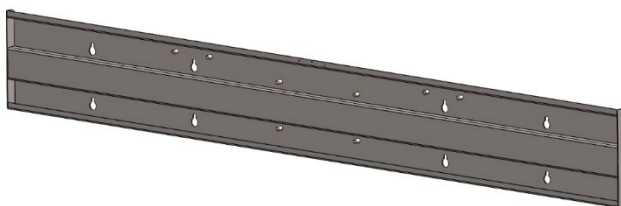
<p>Socle Base</p>																																																																																	
<p>2 paires de fixations fixes 2 mounting brackets</p>																																																																																	
<p>Une multiprise (unavailable for UK/DE)</p>																																																																																	
<p>8 Colliers de serrage 8 plastic clamps</p>																																																																																	
<p>Un jeu de clés Allen key set</p>																																																																																	
<p>Un kit visserie meuble Bolting kit (furniture)</p>	 <table border="1" data-bbox="941 1108 1268 1198"> <thead> <tr> <th>Rep</th> <th>Qté</th> <th>Désignation</th> <th>Designation</th> </tr> </thead> <tbody> <tr> <td>1</td> <td>2</td> <td>Vis CHC M6x8</td> <td>Screw CHC M6X8</td> </tr> <tr> <td>2</td> <td>2</td> <td>Rondelle plate M6</td> <td>Washer M6</td> </tr> <tr> <td>3</td> <td>6</td> <td>Vis TBHC à embase M6x16</td> <td>Screw CBHC M6X16</td> </tr> </tbody> </table>	Rep	Qté	Désignation	Designation	1	2	Vis CHC M6x8	Screw CHC M6X8	2	2	Rondelle plate M6	Washer M6	3	6	Vis TBHC à embase M6x16	Screw CBHC M6X16																																																																
Rep	Qté	Désignation	Designation																																																																														
1	2	Vis CHC M6x8	Screw CHC M6X8																																																																														
2	2	Rondelle plate M6	Washer M6																																																																														
3	6	Vis TBHC à embase M6x16	Screw CBHC M6X16																																																																														
<p>2 Kits visserie écran 2 Bolting kit (screens)</p>	 <table border="1" data-bbox="1157 1265 1380 1478"> <thead> <tr> <th>Rep</th> <th>Qté</th> <th>Désignation</th> <th>Designation</th> </tr> </thead> <tbody> <tr> <td>1</td> <td>6</td> <td>Rondelle M6</td> <td>Washer M6</td> </tr> <tr> <td>2</td> <td>8</td> <td>Rondelle plate M8</td> <td>Washer M8</td> </tr> <tr> <td>3</td> <td>4</td> <td>Entretoise 017x095 lg 6</td> <td>Spacer 017x095 lg 6</td> </tr> <tr> <td>4</td> <td>4</td> <td>Entretoise 017x095 lg 18</td> <td>Spacer 017x095 lg 18</td> </tr> <tr> <td>5</td> <td>4</td> <td>Entretoise 017x098 4 lg 6,3</td> <td>Spacer 017x098 4 lg 6,3</td> </tr> <tr> <td>6</td> <td>4</td> <td>Entretoise 017x098 4 lg 12</td> <td>Spacer 017x098 4 lg 12</td> </tr> <tr> <td>7</td> <td>4</td> <td>Entretoise 017x098 4 lg 24</td> <td>Spacer 017x098 4 lg 24</td> </tr> <tr> <td>8</td> <td>4</td> <td>Vis cruciforme M8x20</td> <td>Cross-headed screw M8x20</td> </tr> <tr> <td>9</td> <td>4</td> <td>Vis cruciforme M8x35</td> <td>Cross-headed screw M8x35</td> </tr> <tr> <td>10</td> <td>4</td> <td>Vis cruciforme M8x25</td> <td>Cross-headed screw M8x25</td> </tr> <tr> <td>11</td> <td>4</td> <td>Vis cruciforme M8x45</td> <td>Cross-headed screw M8x45</td> </tr> <tr> <td>12</td> <td>4</td> <td>Vis cruciforme M8x35</td> <td>Cross-headed screw M8x35</td> </tr> <tr> <td>13</td> <td>4</td> <td>Vis cruciforme M8x20</td> <td>Cross-headed screw M8x20</td> </tr> <tr> <td>14</td> <td>4</td> <td>Vis cruciforme M8x40</td> <td>Cross-headed screw M8x40</td> </tr> <tr> <td>15</td> <td>4</td> <td>Vis cruciforme M8x20</td> <td>Cross-headed screw M8x20</td> </tr> <tr> <td>16</td> <td>2</td> <td>Vis cruciforme M5x12</td> <td>Cross-headed screw M5x12</td> </tr> <tr> <td>17</td> <td>2</td> <td>Vis CBHC M5x12</td> <td>Screw CBHC M5x12</td> </tr> <tr> <td>18</td> <td>4</td> <td>Vis cruciforme M4x40</td> <td>Cross-headed screw M4x40</td> </tr> <tr> <td>19</td> <td>4</td> <td>Vis cruciforme M4x20</td> <td>Cross-headed screw M4x20</td> </tr> </tbody> </table>	Rep	Qté	Désignation	Designation	1	6	Rondelle M6	Washer M6	2	8	Rondelle plate M8	Washer M8	3	4	Entretoise 017x095 lg 6	Spacer 017x095 lg 6	4	4	Entretoise 017x095 lg 18	Spacer 017x095 lg 18	5	4	Entretoise 017x098 4 lg 6,3	Spacer 017x098 4 lg 6,3	6	4	Entretoise 017x098 4 lg 12	Spacer 017x098 4 lg 12	7	4	Entretoise 017x098 4 lg 24	Spacer 017x098 4 lg 24	8	4	Vis cruciforme M8x20	Cross-headed screw M8x20	9	4	Vis cruciforme M8x35	Cross-headed screw M8x35	10	4	Vis cruciforme M8x25	Cross-headed screw M8x25	11	4	Vis cruciforme M8x45	Cross-headed screw M8x45	12	4	Vis cruciforme M8x35	Cross-headed screw M8x35	13	4	Vis cruciforme M8x20	Cross-headed screw M8x20	14	4	Vis cruciforme M8x40	Cross-headed screw M8x40	15	4	Vis cruciforme M8x20	Cross-headed screw M8x20	16	2	Vis cruciforme M5x12	Cross-headed screw M5x12	17	2	Vis CBHC M5x12	Screw CBHC M5x12	18	4	Vis cruciforme M4x40	Cross-headed screw M4x40	19	4	Vis cruciforme M4x20	Cross-headed screw M4x20
Rep	Qté	Désignation	Designation																																																																														
1	6	Rondelle M6	Washer M6																																																																														
2	8	Rondelle plate M8	Washer M8																																																																														
3	4	Entretoise 017x095 lg 6	Spacer 017x095 lg 6																																																																														
4	4	Entretoise 017x095 lg 18	Spacer 017x095 lg 18																																																																														
5	4	Entretoise 017x098 4 lg 6,3	Spacer 017x098 4 lg 6,3																																																																														
6	4	Entretoise 017x098 4 lg 12	Spacer 017x098 4 lg 12																																																																														
7	4	Entretoise 017x098 4 lg 24	Spacer 017x098 4 lg 24																																																																														
8	4	Vis cruciforme M8x20	Cross-headed screw M8x20																																																																														
9	4	Vis cruciforme M8x35	Cross-headed screw M8x35																																																																														
10	4	Vis cruciforme M8x25	Cross-headed screw M8x25																																																																														
11	4	Vis cruciforme M8x45	Cross-headed screw M8x45																																																																														
12	4	Vis cruciforme M8x35	Cross-headed screw M8x35																																																																														
13	4	Vis cruciforme M8x20	Cross-headed screw M8x20																																																																														
14	4	Vis cruciforme M8x40	Cross-headed screw M8x40																																																																														
15	4	Vis cruciforme M8x20	Cross-headed screw M8x20																																																																														
16	2	Vis cruciforme M5x12	Cross-headed screw M5x12																																																																														
17	2	Vis CBHC M5x12	Screw CBHC M5x12																																																																														
18	4	Vis cruciforme M4x40	Cross-headed screw M4x40																																																																														
19	4	Vis cruciforme M4x20	Cross-headed screw M4x20																																																																														
<p>Notice de montage Assembly instruction</p>																																																																																	

- Colis N°2 : colonne
Package N°2 : column



- Colis N°3 : barre double écran avec 4 vis TBHC à embase M6x16

Package N°3 : Dual bar with 4 screws TBHC M6x16



OPTIONS		
<p><i>Un support codec</i> <i>Codec holder</i></p>	<p>SCUV12_1U</p>	
<p><i>Trappe acier</i> <i>Steel hatch</i></p>		

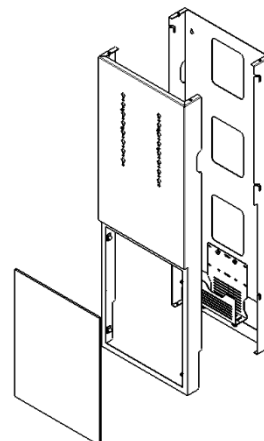
NOTICE DE MONTAGE / ASSEMBLY INSTRUCTIONS

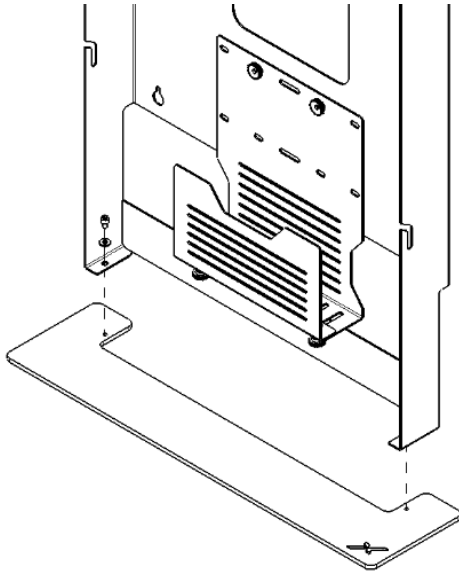
Etape 1 :

- Retirer la trappe de la face avant du STILIX WIDE (trappe aimantée)
- Retirer la face avant en la montant et tirant vers vous

Step 1 :

- *Remove the hatch from the front of the STILIX WIDE (magnetic hatch)*
- *Remove the front panel by raising it and pulling towards you*





Etape 2 :

- Assembler le socle sur la partie arrière (2 vis CHC M6 + 2 rondelles)

Step 2 :

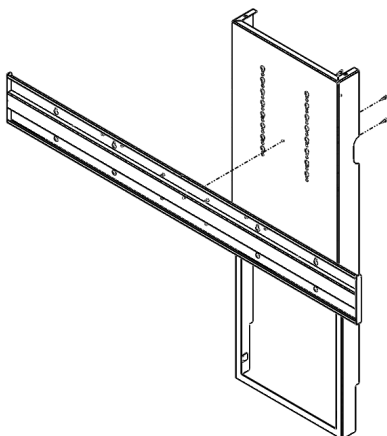
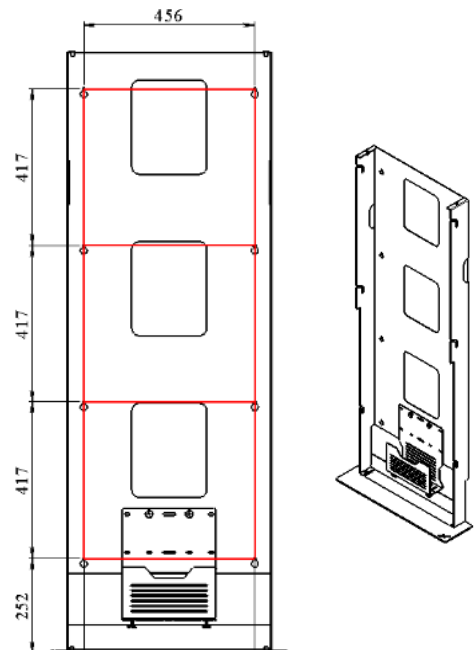
- *Assemble the base on the rear part (2 CHC M6 screws + 2 washers)*

Etape 3 :

- Poser l'ensemble contre le mur puis fixer l'ensemble

Step 3 :

- *Place the stand against the wall and then secure it*



Etape 4 :

- Placer la barre double dans les boutonnières de la face avant et serrer les vis par l'intérieur (4 vis CBHC M6)

Step 4 :

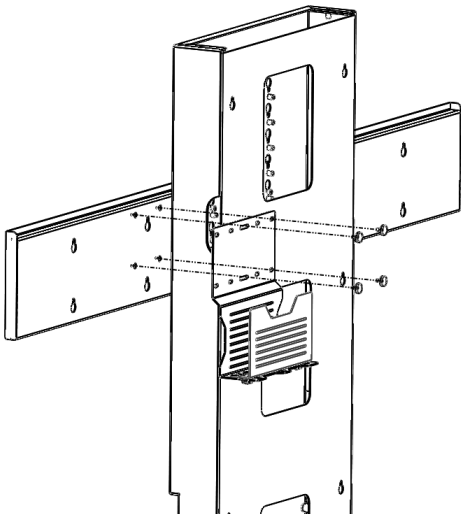
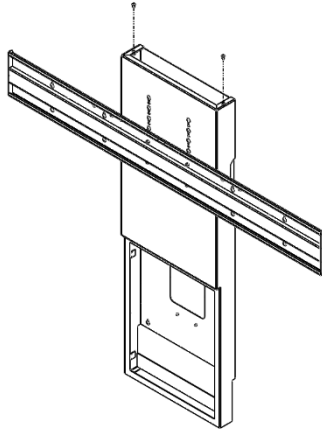
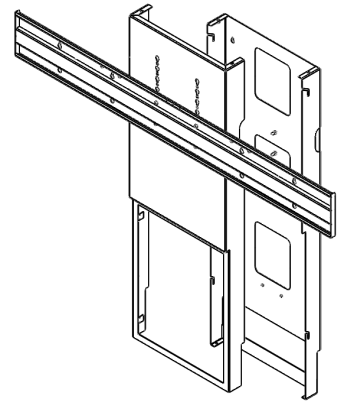
- *Place the dual bar in the buttonholes of the front part and tighten the screws from the inside (4 CBHC M6 screws)*

Etape 5 :

- Replacer la face avant avec la barre double sur la face arrière et sécuriser l'ensemble (2 vis CBHC M6x16)

Step 5 :

- Fit the front part with the dual bar on the rear part and secure it (2 CBHC M6x16 screws)



Etape 6 : (option support codec)

- Monter le support codec derrière la barre double (4 vis moletée M5)

Step 6 : (codec holder option)

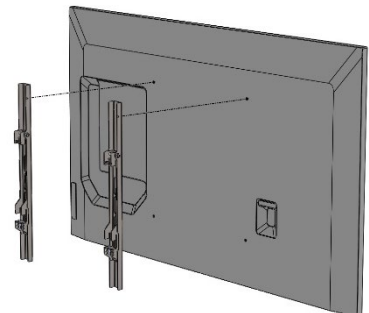
- Fix the codec holder behind the dual bar (4 Knurled screws M5)

Etape 7 :

- Monter la paire de fixations fixes sur l'écran

Step 7 :

- Fit the mounting brackets on the screen

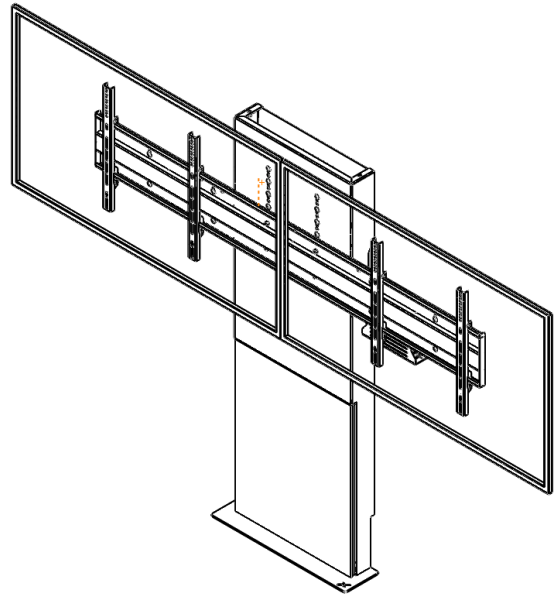


Etape 8 :

- Monter les écrans sur la barre double

Step 8 :

- *Fix the screens on the dual bar*



Etape 9 :

- Procéder au câblage

Step 9 :

- *Proceed with cabling*

Etape 10 :

- Ajuster les écrans
- Sécuriser les écrans

Step 10 :

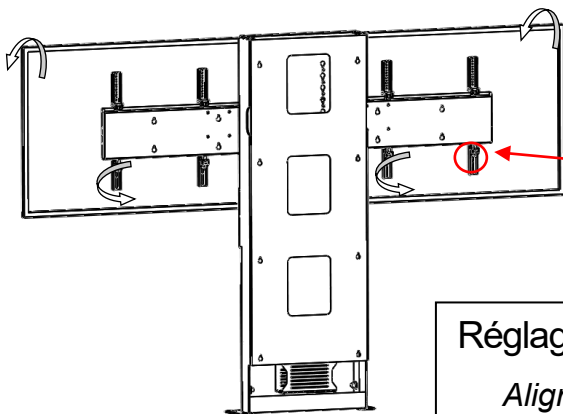
- *Adjust the screens*
- *Secure the screens*

Attention :

Serrage juste en contact.
Ne pas serrer trop fort

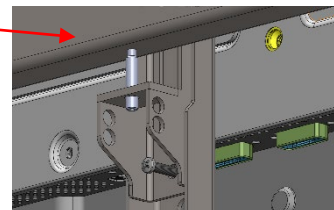
Warning :

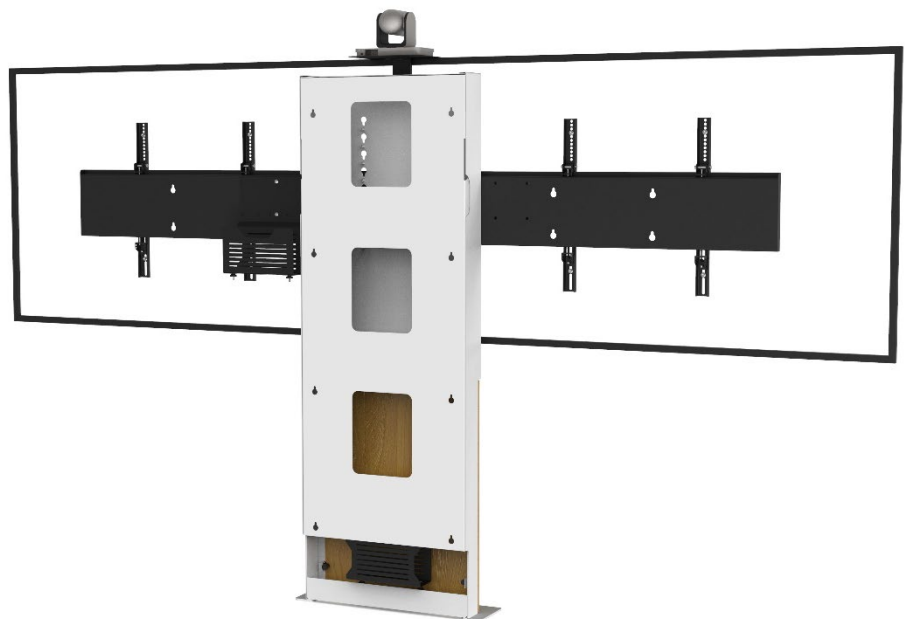
*Tightening just in contact.
Do not tighten too hard*



Réglage de l'alignement
Alignment adjusting

Réglage de l'inclinaison
Tilt adjustment





Le montage de votre STILIX WIDE est terminé !

Your STILIX WIDE is ready !