

## *Notice de montage / Assembly instructions*

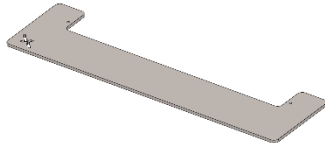
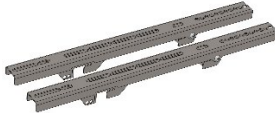



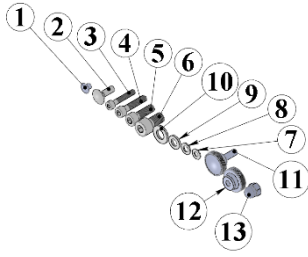
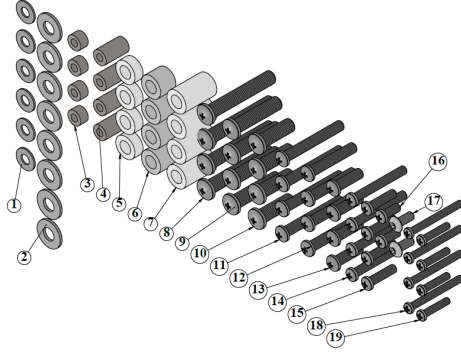
*STILIX double écran / STILIX double screen*



## Composition / Packing list :


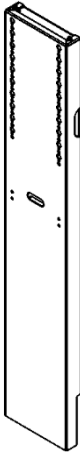
- Colis N°1 : socle + accessoires

Package N°1 : base + accessories

<p>Socle Base</p>																																																																																	
<p>2 paires de fixations fixes 2 Mounting brackets</p>																																																																																	
<p>Une multiprise (unavailable for UK/DE)</p>																																																																																	
<p>8 Colliers de serrage 8 plastic clamps</p>																																																																																	
<p>Un jeu de clés Allen key set</p>																																																																																	
<p>Un kit visserie meuble Bolting kit (furniture)</p>	 <table border="1" data-bbox="1109 1003 1276 1281"> <thead> <tr> <th>Rep</th> <th>Qté</th> <th>Désignation</th> </tr> </thead> <tbody> <tr><td>1</td><td>16</td><td>Bouchon M5</td></tr> <tr><td>2</td><td>4</td><td>Vis japy M5x15</td></tr> <tr><td>3</td><td>2</td><td>Vis CHC M4x25</td></tr> <tr><td>4</td><td>2</td><td>Vis CHC M5x25</td></tr> <tr><td>5</td><td>12</td><td>Vis CHC M6x20</td></tr> <tr><td>6</td><td>6</td><td>Vis CHC M8x16</td></tr> <tr><td>7</td><td>2</td><td>Rondelle plate M4</td></tr> <tr><td>8</td><td>2</td><td>Rondelle plate M5</td></tr> <tr><td>9</td><td>12</td><td>Rondelle plate M6</td></tr> <tr><td>10</td><td>6</td><td>Rondelle plate M8</td></tr> <tr><td>11</td><td>8</td><td>Vis molette M5</td></tr> <tr><td>12</td><td>4</td><td>Ecrou molette M5</td></tr> <tr><td>13</td><td>4</td><td>Ecrou borgne M6</td></tr> </tbody> </table>	Rep	Qté	Désignation	1	16	Bouchon M5	2	4	Vis japy M5x15	3	2	Vis CHC M4x25	4	2	Vis CHC M5x25	5	12	Vis CHC M6x20	6	6	Vis CHC M8x16	7	2	Rondelle plate M4	8	2	Rondelle plate M5	9	12	Rondelle plate M6	10	6	Rondelle plate M8	11	8	Vis molette M5	12	4	Ecrou molette M5	13	4	Ecrou borgne M6																																						
Rep	Qté	Désignation																																																																															
1	16	Bouchon M5																																																																															
2	4	Vis japy M5x15																																																																															
3	2	Vis CHC M4x25																																																																															
4	2	Vis CHC M5x25																																																																															
5	12	Vis CHC M6x20																																																																															
6	6	Vis CHC M8x16																																																																															
7	2	Rondelle plate M4																																																																															
8	2	Rondelle plate M5																																																																															
9	12	Rondelle plate M6																																																																															
10	6	Rondelle plate M8																																																																															
11	8	Vis molette M5																																																																															
12	4	Ecrou molette M5																																																																															
13	4	Ecrou borgne M6																																																																															
<p>2 Kits visserie écran 2 Bolting kit (screens)</p>	 <table border="1" data-bbox="1157 1303 1380 1518"> <thead> <tr> <th>Rep</th> <th>Qté</th> <th>Désignation</th> <th>Désignation</th> </tr> </thead> <tbody> <tr><td>1</td><td>6</td><td>Rondelle M6</td><td>Washer M6</td></tr> <tr><td>2</td><td>8</td><td>Rondelle plate M8</td><td>Washer M8</td></tr> <tr><td>3</td><td>4</td><td>Entonnoir Ø10xØ5 lg 6</td><td>Spacer Ø10xØ5 lg 6</td></tr> <tr><td>4</td><td>4</td><td>Entonnoir Ø10xØ5 lg 18</td><td>Spacer Ø10xØ5 lg 18</td></tr> <tr><td>5</td><td>4</td><td>Entonnoir Ø15xØ8,4 lg 6,3</td><td>Spacer Ø15xØ8,4 lg 6,3</td></tr> <tr><td>6</td><td>4</td><td>Entonnoir Ø15xØ8,4 lg 12</td><td>Spacer Ø15xØ8,4 lg 12</td></tr> <tr><td>7</td><td>4</td><td>Entonnoir Ø15xØ8,4 lg 24</td><td>Spacer Ø15xØ8,4 lg 24</td></tr> <tr><td>8</td><td>4</td><td>Vis cruciforme M8x50</td><td>Cross-headed screw M8x50</td></tr> <tr><td>9</td><td>4</td><td>Vis cruciforme M8x75</td><td>Cross-headed screw M8x75</td></tr> <tr><td>10</td><td>4</td><td>Vis cruciforme M8x25</td><td>Cross-headed screw M8x25</td></tr> <tr><td>11</td><td>4</td><td>Vis cruciforme M6x45</td><td>Cross-headed screw M6x45</td></tr> <tr><td>12</td><td>4</td><td>Vis cruciforme M6x75</td><td>Cross-headed screw M6x75</td></tr> <tr><td>13</td><td>4</td><td>Vis cruciforme M6x20</td><td>Cross-headed screw M6x20</td></tr> <tr><td>14</td><td>4</td><td>Vis cruciforme M5x40</td><td>Cross-headed screw M5x40</td></tr> <tr><td>15</td><td>4</td><td>Vis cruciforme M5x20</td><td>Cross-headed screw M5x20</td></tr> <tr><td>16</td><td>2</td><td>Vis cruciforme M5x12</td><td>Cross-headed screw M5x12</td></tr> <tr><td>17</td><td>2</td><td>Vis CBHC M5x12</td><td>Screw CBHC M5x12</td></tr> <tr><td>18</td><td>4</td><td>Vis cruciforme M4x40</td><td>Cross-headed screw M4x40</td></tr> <tr><td>19</td><td>4</td><td>Vis cruciforme M4x20</td><td>Cross-headed screw M4x20</td></tr> </tbody> </table>	Rep	Qté	Désignation	Désignation	1	6	Rondelle M6	Washer M6	2	8	Rondelle plate M8	Washer M8	3	4	Entonnoir Ø10xØ5 lg 6	Spacer Ø10xØ5 lg 6	4	4	Entonnoir Ø10xØ5 lg 18	Spacer Ø10xØ5 lg 18	5	4	Entonnoir Ø15xØ8,4 lg 6,3	Spacer Ø15xØ8,4 lg 6,3	6	4	Entonnoir Ø15xØ8,4 lg 12	Spacer Ø15xØ8,4 lg 12	7	4	Entonnoir Ø15xØ8,4 lg 24	Spacer Ø15xØ8,4 lg 24	8	4	Vis cruciforme M8x50	Cross-headed screw M8x50	9	4	Vis cruciforme M8x75	Cross-headed screw M8x75	10	4	Vis cruciforme M8x25	Cross-headed screw M8x25	11	4	Vis cruciforme M6x45	Cross-headed screw M6x45	12	4	Vis cruciforme M6x75	Cross-headed screw M6x75	13	4	Vis cruciforme M6x20	Cross-headed screw M6x20	14	4	Vis cruciforme M5x40	Cross-headed screw M5x40	15	4	Vis cruciforme M5x20	Cross-headed screw M5x20	16	2	Vis cruciforme M5x12	Cross-headed screw M5x12	17	2	Vis CBHC M5x12	Screw CBHC M5x12	18	4	Vis cruciforme M4x40	Cross-headed screw M4x40	19	4	Vis cruciforme M4x20	Cross-headed screw M4x20
Rep	Qté	Désignation	Désignation																																																																														
1	6	Rondelle M6	Washer M6																																																																														
2	8	Rondelle plate M8	Washer M8																																																																														
3	4	Entonnoir Ø10xØ5 lg 6	Spacer Ø10xØ5 lg 6																																																																														
4	4	Entonnoir Ø10xØ5 lg 18	Spacer Ø10xØ5 lg 18																																																																														
5	4	Entonnoir Ø15xØ8,4 lg 6,3	Spacer Ø15xØ8,4 lg 6,3																																																																														
6	4	Entonnoir Ø15xØ8,4 lg 12	Spacer Ø15xØ8,4 lg 12																																																																														
7	4	Entonnoir Ø15xØ8,4 lg 24	Spacer Ø15xØ8,4 lg 24																																																																														
8	4	Vis cruciforme M8x50	Cross-headed screw M8x50																																																																														
9	4	Vis cruciforme M8x75	Cross-headed screw M8x75																																																																														
10	4	Vis cruciforme M8x25	Cross-headed screw M8x25																																																																														
11	4	Vis cruciforme M6x45	Cross-headed screw M6x45																																																																														
12	4	Vis cruciforme M6x75	Cross-headed screw M6x75																																																																														
13	4	Vis cruciforme M6x20	Cross-headed screw M6x20																																																																														
14	4	Vis cruciforme M5x40	Cross-headed screw M5x40																																																																														
15	4	Vis cruciforme M5x20	Cross-headed screw M5x20																																																																														
16	2	Vis cruciforme M5x12	Cross-headed screw M5x12																																																																														
17	2	Vis CBHC M5x12	Screw CBHC M5x12																																																																														
18	4	Vis cruciforme M4x40	Cross-headed screw M4x40																																																																														
19	4	Vis cruciforme M4x20	Cross-headed screw M4x20																																																																														
<p>Notice de montage Assembly instruction</p>																																																																																	

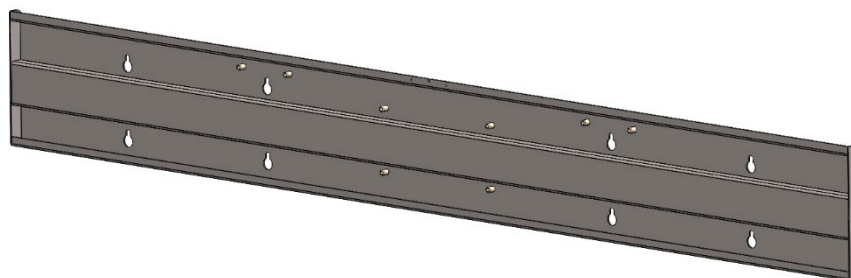
- Colis N°2 : colonne


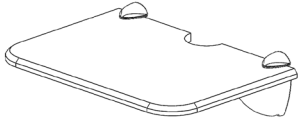
*Package N°2 : column*

Colonne Affichage Display column		Colonne Visio Videoconferencing column
	ou or	

- Colis N°3 : barre double écran avec 4 vis TBHC à embase M6x16

*Package N°3 : dual bar with 4 screws TBHC M6x16*



<b>OPTIONS</b>		
<i>Un support codec</i> Codec holder	SCUV12_1U	
<i>Une tablette petit format</i> Small shelf	SMCP_CPS	

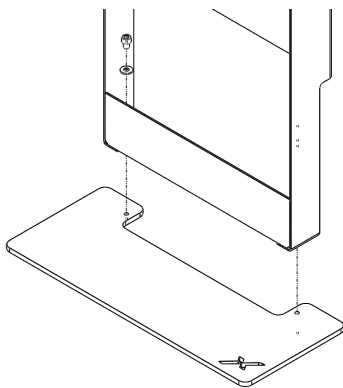
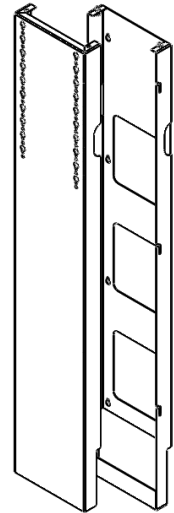
## NOTICE DE MONTAGE / ASSEMBLY INSTRUCTIONS

### Etape 1 :

- Retirer la face avant en la montant et tirant vers vous

### Step 1 :

- Remove the front panel by raising it and pulling towards you



### Etape 2 :

- Assembler le socle sur la partie arrière (2 vis CHC M6 + 2 rondelles)

### Step 2 :

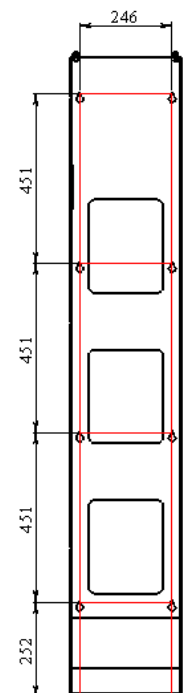
- Assemble the base on the rear part (2 CHC M6 screws + 2 washers)

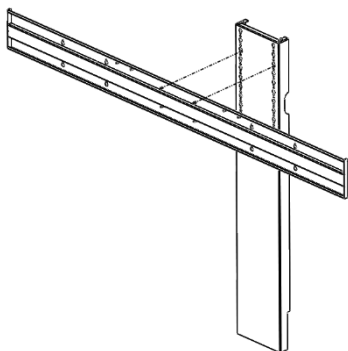
### Etape 3 :

- Poser l'ensemble contre le mur puis fixer le

### Step 3 :

- Place the stand against the wall and then fix it





## **Etape 4 :**

- Fixer la barre double sur la colonne  
(4 vis CBHC M6)

## **Step 4 :**

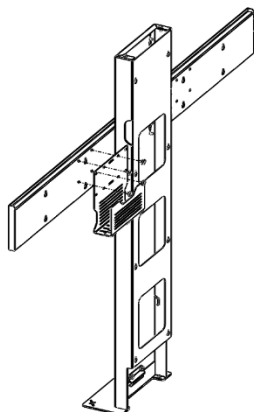
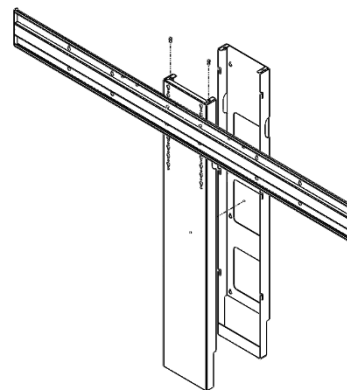
- *Fix the dual bar to the front column  
(4 x CBHC M6 screws)*

## **Etape 5 :**

- Replacer la partie avant et sécuriser l'ensemble  
(2 vis CBHC M6x16)

## **Step 5 :**

- *Fix the front part and secure the stand  
(2 CBHC M6x16 screws)*



## **Etape 6 :** (option support codec)

- Monter le support codec derrière la barre double  
(4 vis moletée M5)

## **Step 6 :** (codec holder option)

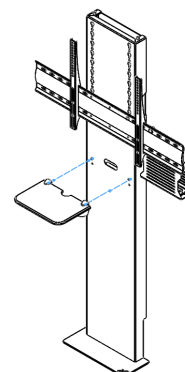
- *Fix the codec holder behind the dual bar  
(4 Knurled screws M5)*

## **Etape 7 :** (option tablette petit format)

- Monter la tablette petit format (4 vis M4x10)

## **Step 7 :** (small shelf option)

- *Fix the small shelf (4 M4x10 screws)*

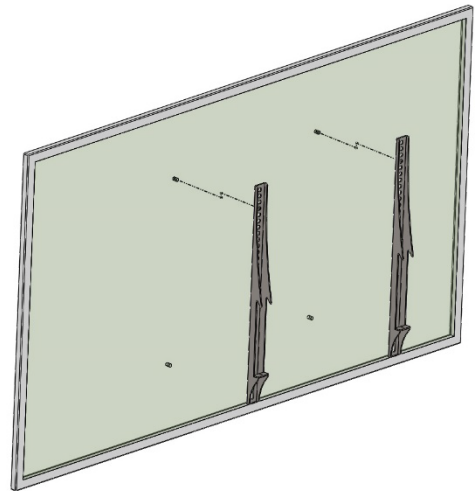


## Etape 8 :

- Monter la paire de fixations fixes sur l'écran (vis fournies dans le kit visserie écran)

## Step 8 :

- *Fit the mounting brackets on the screen (screws provided in the bolting kit)*

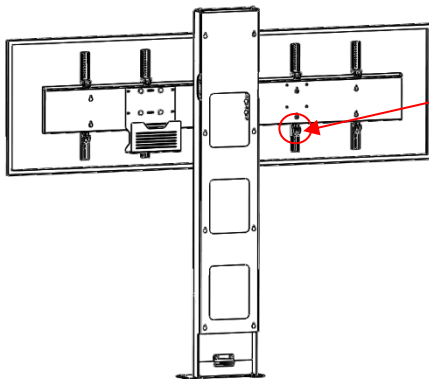


## Etape 10 :

- Monter les écrans sur la barre double
- Sécuriser les écrans

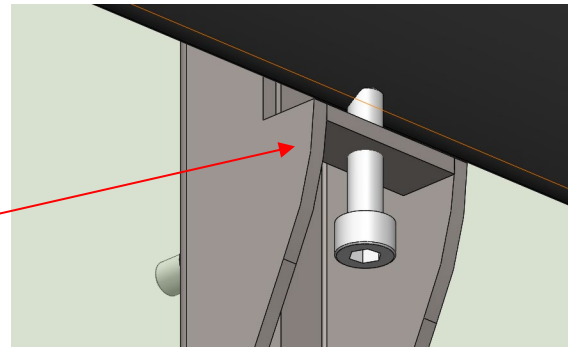
## Step 10 :

- *Fix the screens on the dual bar*
- *Secure the screens*



### **Warning :**

Tightening just in contact.  
Do not tighten too hard



### **Attention :**

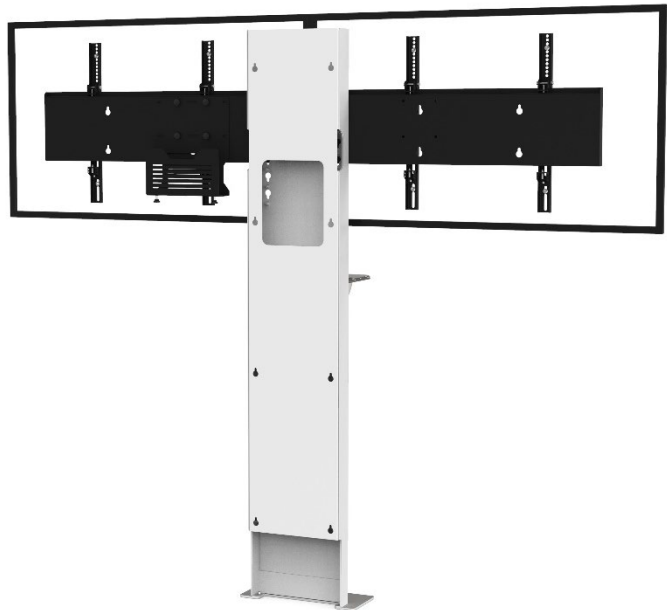
Serrage juste en contact.  
Ne pas serrer trop fort

## Etape 11 :

- Procéder au câblage

## Step 11 :

- *Proceed with cabling*



**Le montage de votre STILIX est terminé !**

***Your STILIX is ready !***