



ACCESSORIES

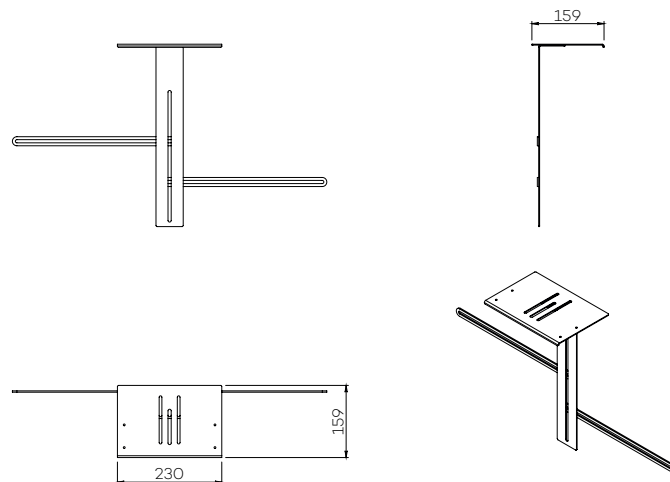
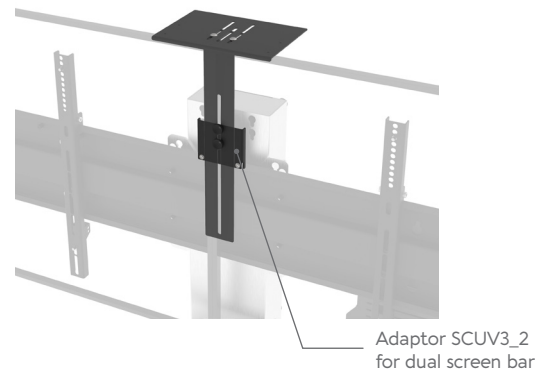
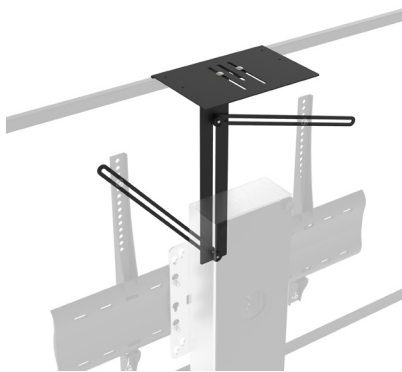
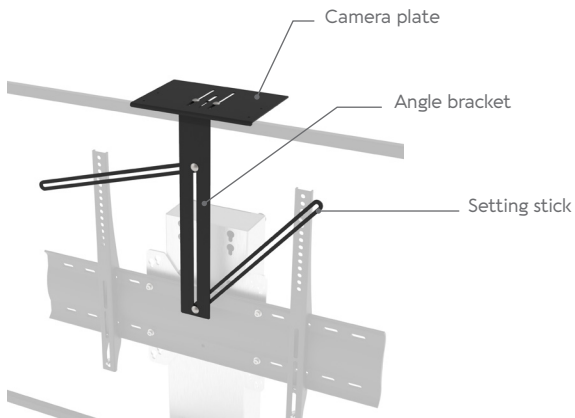
Installation : above the screen

Finish : black

Part numbers :
SCUV3
SCUV3_2

UNIVERSAL CAMERA HOLDER

SINGLE OR DUAL SCREEN



• SPECIFICATIONS

	Universal camera holder	
Part numbers	SCUV3	SCUV3 + SCUV3_2
Material	Black painted steel	
Installation	Above the screen	Above and between two screens
Camera attachment	By camera screw	
Camera plate positioning	At the edge of the screen	
Camera plate size (w x d)	230 x 159 mm	
Accessories included	<ul style="list-style-type: none"> • Camera plate • Angle bracket • 2 x mounting strips • Mounting screws 	<ul style="list-style-type: none"> • Camera plate • Angle bracket • 2 x mounting strips • Adaptator for SCUV3 allowing the positioninf of the camera in the centre of the two screens (SCUV3_2) • Mounting screws
Note	-	Can be used only with the Axeos dual bar