

X-PRESS

For a 40 to 75-inch screen



DIGITAL SIGNAGE

Number of screen : 1 screen

Screen size : 40 to 75"

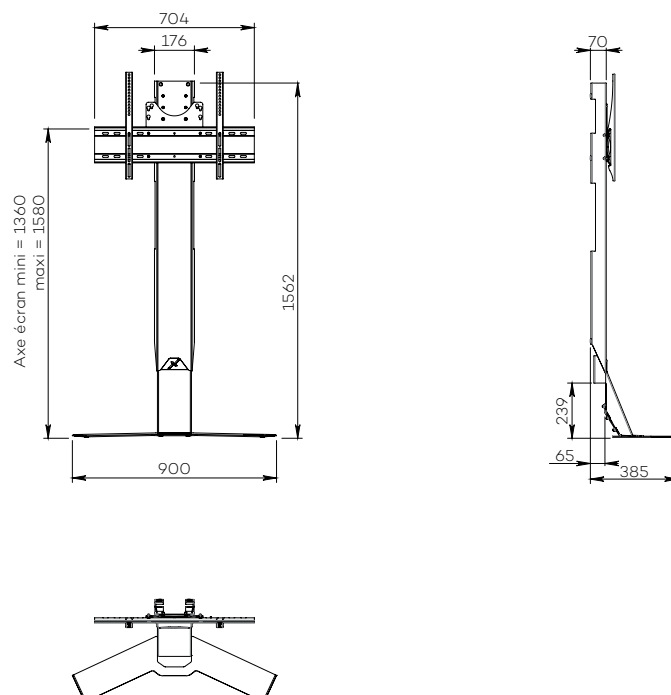
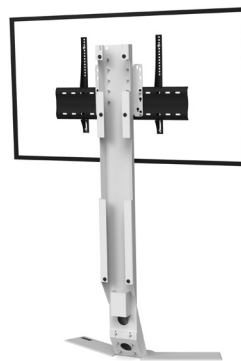
Installation : adosser au mur

Finition : blanche

Part number :
X-PRESS-DS



55" simulation screen



- SPECIFICATIONS

Screen size	For a 40 to 75" screen
Part number	X-PRESS-DS
Structure	White painted steel
Noth for plinth	239 mm (h) x 65 mm (d)
Base thickness	5 mm
Base dimensions (w x d x h)	900 x 325 x 5 mm
Column dimensions (w x d x h)	176 x 70 x 1557 mm
Screen fixing	Black painted steel with fixing kit
Universal screen mount (VESA)	200 x 200 mm to 600 x 400 mm
Screen axis height	1360 mm to 1580 mm
Max. screen weight	45 kg < à 35 kg : à poser contre un mur > à 35 kg : avec 2 points de fixation au mur
Max. screen depth	60 mm
Stand weight	23 kg

- OPTIONS

Small shelf Dimensions (w x d) : 300 mm x 180 mm Adjustable height : 865 mm to 1132 mm - Max. weight : 1,8 kg	P/N: AX055-05
Black finish Structure, small shelf and codec holder in black painted steel	P/N: X-PRESS/FULLBLACK
Codec or player holder Attached behind the screen with a functional depth of 60 mm	P/N: SCUUV12_XPRESS
Universal camera holder Above the screen (attached to the VESA screen with 340 mm strips)	P/N: SCUUV3
Magnetic removable rear cover On the back of the column if leaned against a glass wall	P/N: CARTER_XPRESS
Other finish	P/N: on request